

iPERL™ Water Meter Installation Instructions

INSTALLATION

1. Unpack the iPERL meter from the packaging and remove the spud thread protectors.
 2. Inspect the iPERL meter for any parts that may have been damaged during shipping.
 3. If a new install, thoroughly flush new water service plumbing before installing the iPERL meter.
 4. Turn off the water supply valves.
- CAUTION:** *Ensure the metallic water service plumbing is properly grounded per electrical codes. If installing indoors, install an electrical grounding strap for safety.*
5. If an existing install, pull the current meters out of the pit or disassemble current meter.
 6. Orientate the iPERL meter so that the direction of the flow arrow on the system body is aligned with the direction of the flow arrow in the plumbing system.
 7. Install the new iPERL meter connection gaskets in both meter couplings.
 8. Align the threads and hand-tighten the coupling nuts.
 9. Using a wrench, tighten an extra 1/4 to 1/2 turn on each coupling nut.
- NOTE:** *Do not over-tighten. You may tighten after turning on the water (if leaks are present). Additionally, do not use the opposite coupling nut for support when tightening a coupling nut. This could overstress the meter body and cause it to crack.*
10. After the iPERL meter is installed, shut off the outlet shut-off valve.
 11. Open the inlet shut-off valve slowly until the iPERL meter is full of water and ensure that there are no leaks.
 12. Open the outlet valve slowly until air is out of the meter and service line.
 13. Open a valve downstream of the iPERL meter to ensure that no foreign debris in the water obstructs the operations of the meter.
 14. Check the read on the iPERL meter to make sure it is registering a positive number and not displaying an empty pipe alarm. If the alarm is present, make sure the iPERL meter is installed in the correct direction. It will take about 30 seconds for the iPERL to register flow after an empty pipe alarm is triggered.
 15. Attach an endpoint to the iPERL meter via a coupler cable, if required.
 16. Record read information as required by the utility.

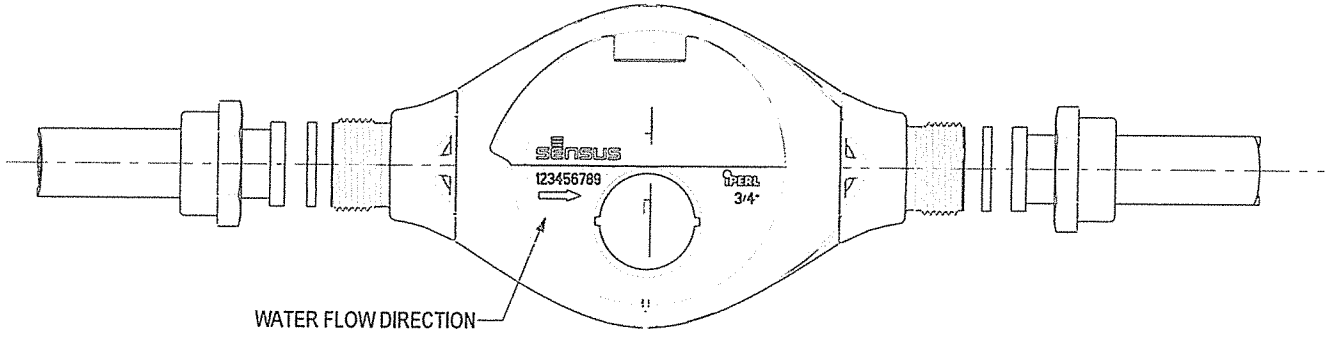
Considerations

- iPERL meters should be installed on the discharge side of a pump with the flow directional arrow pointed downstream.
- If a pump is installed on the outlet side of the iPERL meter, a minimum of ten (10) diameters of straight pipe should be immediately downstream of the iPERL meter to obtain valid system registration.
- Suitable shutoff valves should be installed adjacent to the inlet and outlet of the iPERL meter so that the service may be shutoff if it is necessary to remove the iPERL meter.
- Clean and flush the service line thoroughly on the inlet side before installing the iPERL meter.
- Make sure that metallic water service plumbing is properly grounded as per local electrical codes. If installing indoors, install an electrical grounding strap for safety.
- The water lines must be coaxially aligned within three (3) degrees (0.4 inches) to ensure a proper seal.
- It is recommended that old gaskets be completely removed and discarded and new 3/32" thick rubber gaskets be used with every installation.

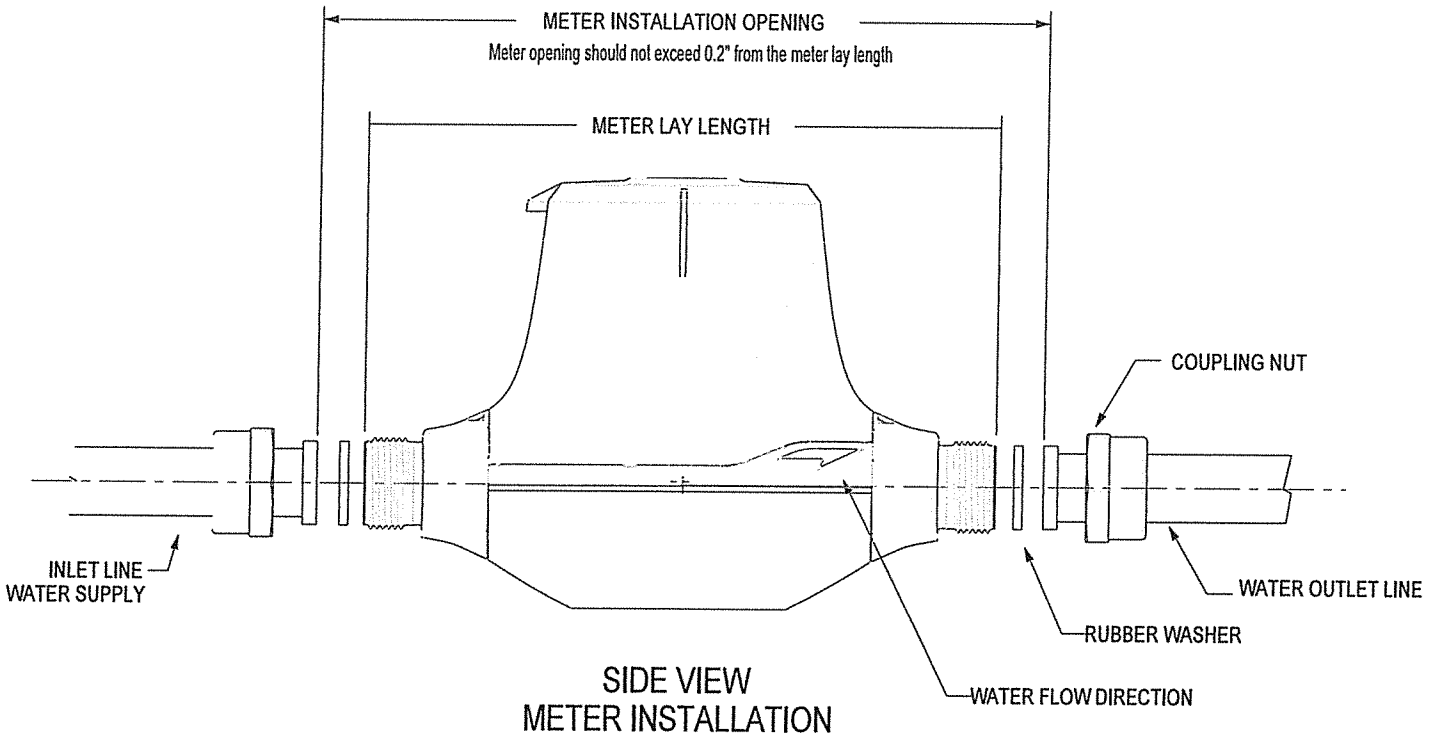


WIG-10002-02

TOP VIEW METER INSTALLATION



WATER FLOW DIRECTION



SIDE VIEW METER INSTALLATION

© 2016 Sensus. All products purchased and services performed are subject to Sensus' terms of sale, available at either; <http://na.sensus.com/TC/TermsConditions.pdf> or 1-800-638-3748. Sensus reserves the right to modify these terms and conditions in its own discretion without notice to the customer. The Sensus logo is a registered trademark of Sensus.

This document is for informational purposes only, and SENSUS MAKES NO EXPRESS WARRANTIES IN THIS DOCUMENT. FURTHERMORE, THERE ARE NO IMPLIED WARRANTIES, INCLUDING WITHOUT LIMITATION, WARRANTIES AS TO FITNESS FOR A PARTICULAR PURPOSE AND MERCHANTABILITY. ANY USE OF THE PRODUCTS THAT IS NOT SPECIFICALLY PERMITTED HEREIN IS PROHIBITED.