

3-4311

Wall Mount, Outdoor

Features

Housing

Die-formed Cold-rolled Steel with Powder Coated Finish
Finish Options: -05 Black, -06 White, -08 Gray

Electrical

120V, Built-in Photo Cell Option
High Power Factor, Low THD

Lamp

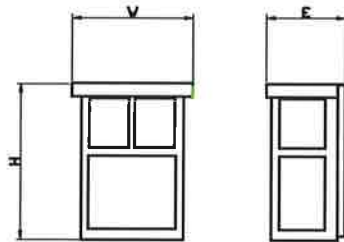
Integrate LED Module: More Color Temperature Option 3500K, 4000K, 5000K
GU24 LED Bulb Type: Color Temperature Option 3000K, 4000K
GU24 CFL Bulb Type: Color Temperature Option 2700K, 4000K

Certification

UL/cUL or ETL/cETL Listed, Suitable for Wet Locations

Warranty

5 Years Limited Warranty on Driver and LED



3000K

LED Type

Model	Input Voltage	Input Wattage	LED CT/CRI	Lumen (TYP)	Housing / Shade	Dimension (H x W X E)	Energy Star
3-4311D-05-xxxxK	120V	15W	3000K / >80	1380	Steel / Glass	9.1" x 6.7" x 4.4"	Yes
3-4311D-05-xxxxK-11W	120V	11W	3000K / >80	770	Steel / Glass	9.1" x 6.7" x 4.4"	Yes
3-4311D-05-L-xxxxK	120V	15W	3000K / >80	1380	Steel / Glass	12.0" x 10.0" x 4.0"	Yes

GU24 Type

Model	Input Voltage	Finish	Lamp	Shade	Dimension (H x W X E)	Energy Star
3-4311-118-05	120V	Black	1 x 18W GU24	Frosted Glass	9.1" x 6.7" x 4.4"	---



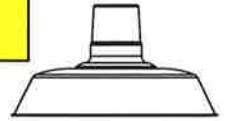
SPS-0448 REV C

THE ORIGINAL™ INTEGRATED LED SERIES

JOB NAME: _____

FIXTURE TYPE: _____

**138 BOSTON POST ROAD
EAST LYME, CT
C**



BLE - G	-	WHS18	-	100	-	G22	-	100	-	NA	-	NA	-
	A	B	C	D	E	F	G						
NA	-	NA	-	LED16	-	3000K	-	FL					
	H	I	J	K	L								

Order Example: BLE - G - WHS16 - 600 - G22 - 980 - NA - ACR - 600 - NA - LED38 - 2700K - DL

A - MOUNTING STYLE

- C Cord Hung
- CN Chain Hung
- F Flush Mount¹
- G Gooseneck**
- S Stem Mount

B - SHADE SIZE

THE ORIGINAL™:

- WHS12 12" Shade
- WHS14 14" Shade
- WHS16 16" Shade
- WHS18 18" Shade**
- WHS20² 20" Shade

C - SHADE FINISH

PORCELAIN FINISHES³:

- 150 Black
- 250 White
- 350 Vintage Green
- 355 Jadite
- 455 Cherry Red
- 550 Yellow
- 650 Bronze
- 750 Cobalt Blue
- 765 Delphite Blue
- 850 Graphite
- 950 Metallic Chrome

POWDER COAT FINISHES⁴:

- 100 Black**
- 105 Textured Black
- 106 Matte Black
- 200 White
- 206 Matte White
- 300 Dark Green
- 307 Emerald Green
- 311 Jadite
- 370 Mint
- 380 Chartreuse
- 390 Teal
- 400 Barn Red
- 420 Orange
- 470 Watermelon
- 480 Blush Pink
- 490 Magenta
- 495 Sherbet Orange
- 500 Buttery Yellow
- 570 Sunflower
- 600 Bronze
- 601 Chocolate
- 605 Rust
- 615 Oil-Rubbed Bronze

C - SHADE FINISH (CONTINUED)

POWDER COAT FINISHES⁴:

- 700 Royal Blue
- 705 Navy
- 710 Cobalt Blue
- 715 Delphite Blue
- 790 Lavender
- 800 Industrial Grey
- 805 Charcoal Granite
- 810 Graphite
- 975 Galvanized

NATURAL METALS⁵:

- 995 Raw Copper
- 996 Weathered Copper
- 997 Raw Brass
- 998 Weathered Brass
- 999 Oil-Rubbed Copper

D - MOUNTING

Please Note: If Flush Mount [F] is selected in Section A, please select NA

NA Not Applicable

CSA LISTED CORDS:

- SBK Standard Black
- SWH Standard White
- CSB Black Cloth
- CSW White Cloth
- CMG Grey Cloth
- CSR Red Cloth
- CRZ Red Chevron Cloth
- CSBB Black & Brown Cloth
- CSRW Red & White Cloth
- CSGW Gold & White Cloth
- CSBG Black & Gold Cloth
- CSBW Black & White Cloth
- CSBP Black & Pink Cloth
- CSUW Blue & White Cloth

CHAIN MOUNT OPTIONS²:

- CN36 3' of Chain
- CN48 4' of Chain
- CN60 5' of Chain
- CN72 6' of Chain

D - MOUNTING (CONTINUED)

GOOSENECK OPTIONS:

- | | | |
|-------------------|------------------|------------------|
| G1 ² | G11 ² | G26 ² |
| G2 ² | G12 ² | G32 |
| G3 ^{2,6} | G13 | G34 ² |
| G4 ⁶ | G14 | G35 ² |
| G5 ² | G15 | G36 ² |
| G6 | G16 ² | G64 ² |
| G7 | G17 | G65 ² |
| G8 | G22 | |
| G9 | G24 | |
| G10 | G25 | |

STEM MOUNT OPTIONS:

- ST506 .5" Stem Mount, 6"²
- ST512 .5" Stem Mount, 12"²
- ST518 .5" Stem Mount, 18"²
- ST524 .5" Stem Mount, 24"²
- ST536 .5" Stem Mount, 36"²
- ST548 .5" Stem Mount, 48"²
- ST706 .75" Stem Mount, 6"
- ST712 .75" Stem Mount, 12"
- ST718 .75" Stem Mount, 18"
- ST724 .75" Stem Mount, 24"
- ST736 .75" Stem Mount, 36"
- ST748 .75" Stem Mount, 48"

E - MOUNTING FINISH

Please Note: See Section C for Finish Options. 980-Brushed Aluminum is also available for Gooseneck (Except G36, G64 & G65) and Stem mounting styles. If a Porcelain shade finish is selected, mounting will be powder coat painted-to-match. Porcelain shade finishes are not available with a Natural Metal mounting finish

- (I) If Cord Hung [C], selection identifies canopy finish
- (II) If Chain Hung [CN] Mounting Style, selection identifies chain and canopy finish. Natural Metals are not applicable
- (III) If Stem Mount [S] Mounting Style, selection identifies stem and canopy finish
- (IV) If Flush Mount [F] Mounting Style, selection identifies hex coupler and canopy finish. Natural Metals are not applicable

980 Brushed Aluminum

F - CORDS⁷

Please Note: See Section D for all applicable CSA Listed Cord Options

NA Not Applicable

G - SHADE ACCESSORIES²

- NA None
- WC Wire Cage
- ACR Acrylic Diffuser^{8,9}

H - SHADE ACCESSORY FINISH

Please Note: See Section C for Finish Options. Natural Metals not applicable. If Porcelain Finish is selected, accessory will be powder coat painted-to-match

NA Not Applicable

I - MOUNTING ACCESSORY

Please Note: Mounting Accessories below are only applicable with select Mounting Styles. Please refer to product listings on our website for further detail.

- NA None/Not Applicable
- HSC Hang Straight Canopy^{2,10}
- LDBPC LED Decorative Backing Plate Cover^{11,12}
- LDCHX LED Decorative Backing Plate Cover & Hex Cover^{11,12}

J - LIGHT SOURCE

- LED11 850 Lumen, 11W LED
- LED16 1250 Lumen, 16W LED**
- LED27 2000 Lumen, 27W LED
- LED38 3000 Lumen, 38W LED
- LED43 4000 Lumen, 43W LED¹

K - COLOR TEMPERATURE

- 2700K 2700K, Warm White
- 3000K 3000K, Neutral White**
- 3500K 3500K, Bright White
- 4000K 4000K, Cool White

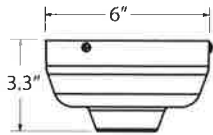
L - LED LENS

- DL Domed Lens
- FL Flat Lens**

IMPORTANT: (1) Not available with Acrylic Diffuser shade accessory (2) Not available in Natural Metals (3) All Porcelain Enamel finished shades feature a white interior and a black outer rim (4) All Powder Coat finished shades, Galvanized excluded, feature a white interior (5) Natural Metals have a longer estimated manufacturing time, please check the website for exact lead time. There are no returns accepted on Natural Metals (6) Not compatible with 16" shade size and larger (7) Only applicable if Chain Hung Mounting Style selected in Section A, select NA if another Mounting Style is selected (8) Acrylic Diffuser limits the maximum lumen selection as well as reduces lumens delivered and LPW. Selection Limits: 2000 Max for 12" and 14" shades; 3000 Max for 16" through 20" shades (9) Fixture is CSA Listed for Damp Location with Acrylic Diffuser (10) Only applicable if Stem Mounting Style is selected in Section A (11) Not available with G3, G4, G11, G15, G26, & G36 Gooseneck option (12) Only applicable if Gooseneck Mounting Style is selected in Section A

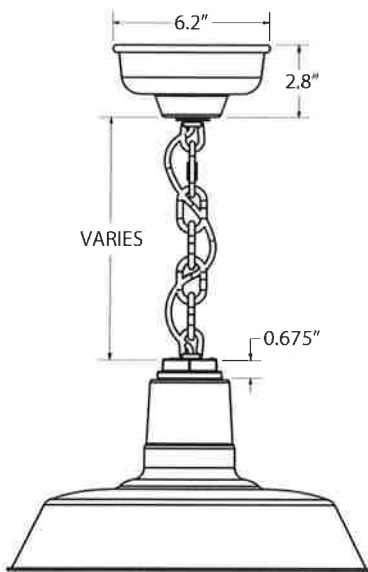
MOUNTING STYLE

HIGH LUMEN CANOPY FOR PENDANT & FLUSH MOUNT



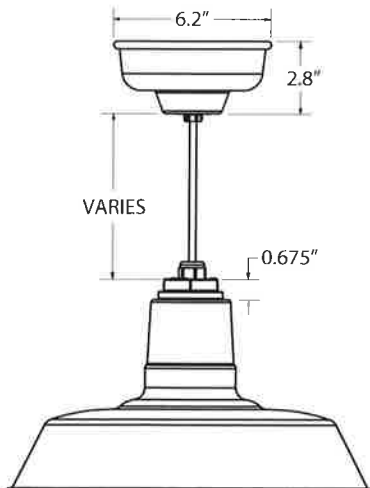
Required if LED 27, 38, 43 Light Source selected in Section J

CHAIN HUNG PENDANT (CN)



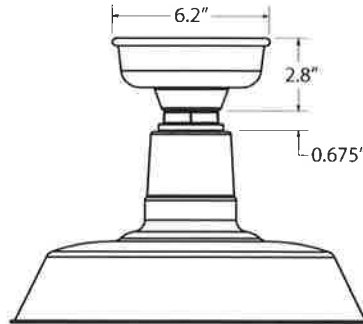
Canopy shown required if LED 11 & 16 Light Source selected in Section J

CORD HUNG PENDANT (C)



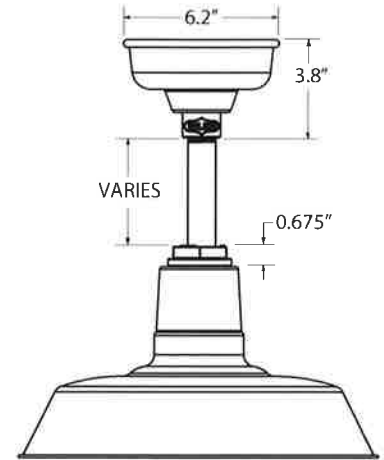
Canopy shown required if LED 11 & 16 Light Source selected in Section J

FLUSH MOUNT (F)



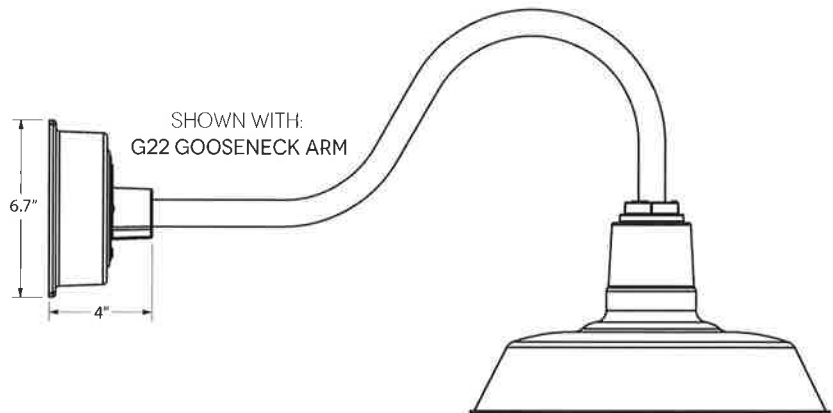
Canopy shown required if LED 11 & 16 Light Source selected in Section J

STEM MOUNT PENDANT (S)

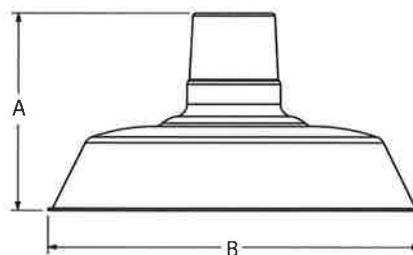


Canopy shown required if LED 11 & 16 Light Source selected in Section J

GOOSENECK (G)



LUMINAIRE DIMENSIONS



SHADE CODE	HEIGHT (A)	DIAMETER (B)
WHS12	7"	12"
WHS14	7.5"	14"
WHS16	7.75"	16"
WHS18	8.5"	18"
WHS20	9.25"	20"

LIGHT SOURCE

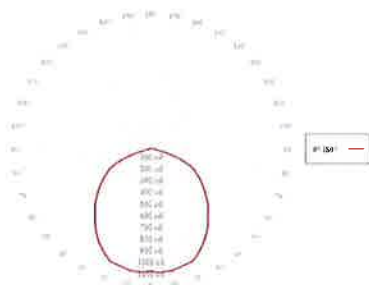
All published luminaire photometric testing performed to IESNA LM-79-08 standards by a NVLAP accredited laboratory. Data is considered to be representative of the configurations shown, within the tolerances allowed by Lighting Facts. To obtain an IES file specific to your project, please contact the factory.

	LUMENS		850		1250		2000		3000		4000	
	Wattage		11		16		27		38		43	
	Optics	Lumens	LPW	Lumens	LPW	Lumens	LPW	Lumens	LPW	Lumens	LPW	
WHS12	FLAT	846	74	1244	78	1997	74	2996	79	3995	93	
	DOMED	824	72	1212	76	1936	72	2904	76	3872	90	
WHS14	FLAT	845	74	1243	77	1982	73	2973	78	3964	92	
	DOMED	823	72	1210	75	1904	71	2856	75	3808	88	
WHS16	FLAT	845	74	1243	77	1982	73	2973	78	3964	92	
	DOMED	822	72	1209	75	1902	70	2854	75	3805	88	
WHS18	FLAT	843	74	1240	77	1978	73	2967	78	3956	92	
	DOMED	819	72	1204	75	1895	70	2843	75	3791	88	
WHS20	FLAT	841	74	1237	77	1973	73	2959	78	3945	91	
	DOMED	815	72	1199	75	1887	70	2830	74	3773	87	

*Acrylic Diffuser option reduces lumens delivered and LPW

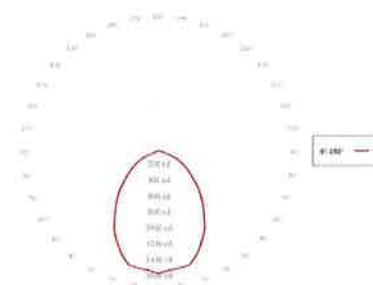
LIGHT DISTRIBUTION

DOMED LENS (DL)

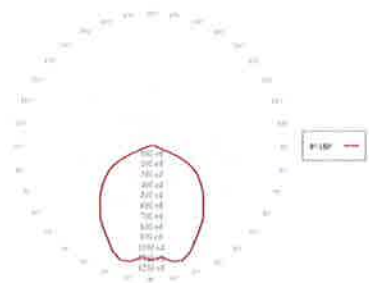


Shown above with 16" Shade (WHS16), White Interior (200-White) and 3000 Lumen (LED38)

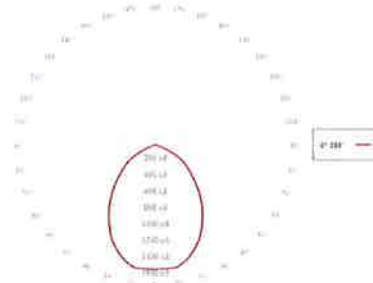
FLAT LENS (FL)



Shown above with 16" Shade (WHS16), White Interior (200-White) and 3000 Lumen (LED38)



Shown above with 20" Shade (WHS20), White Interior (200-White) and 3000 Lumen (LED38)



Shown above with 20" Shade (WHS20), White Interior (200-White) and 3000 Lumen (LED38)

SPECIFICATIONS

CERTIFICATIONS, LISTINGS & WARRANTY

MADE IN THE USA

Manufactured and Hand-Crafted in Our 60,000 Square Foot Facility Located in Titusville, FL

CSA LISTED FOR WET LOCATIONS

Includes All Gooseneck, Stem and Flush Mounting Styles
Acrylic Diffuser is CSA Listed for Damp Locations for Gooseneck and Stem Mounting Styles

CSA LISTED FOR DAMP LOCATIONS

Includes All Chain and Select Cord Hung Mounting Styles
Acrylic Diffuser is CSA Listed for Damp Locations for Chain and Cord Hung Mounting Styles

LIMITED WARRANTY

For Additional Information on Our Limited Warranty, Please See Our Terms & Conditions

OPERATING TEMPERATURE

-30°C to 40°C

CONSTRUCTION & FINISH

POWDER COAT SHADE

Hand-Spun from High Purity 3003-O Temper Aluminum

GALVANIZE SHADE

Hand Spun from High Quality Galvanized Steel

PORCELAIN SHADE

Hand-Spun from 20 Gauge Porcelain Steel

POWDER COAT FINISHES

Polyester Powder Coat Finishes Are Electro-Statically Applied and Thermocured

PORCELAIN FINISHES

Applied by Hand and Fired in a High Temperature Oven

COPPER

Hand-Spun from High Purity C11000-O60 ETP Copper

BRASS

Hand-Spun from High Purity C2600-O60 Brass

STEM

1/2" Nominal (0.84" Actual) or 3/4" Nominal (1.05" Actual) Sch 40, 6063 Aluminum Mounting Stem. Custom Lengths Available upon Request.

GOOSENECK

1/2" Nominal (0.84" Actual) or 3/4" Nominal (1.05" Actual) Sch 40, 6063 Aluminum Gooseneck

CORD

Cord-Hung Pendants Include 7' of Standard Cord or 5' of Cloth Cord, +/- For Socket Orientation

CHAIN

4-Gauge Chain Complete with Quick Link for On-Site Adjustments to Chain's Length

LED LIGHT SOURCE

LED TYPE: CREE LMH2 MODULE

INITIAL LUMENS DELIVERED: UP TO 4000 LUMENS

L90(6K) > 36,300 HOURS

AVAILABLE CCT: 2700K, 3000K, 3500K, 4000K
Custom Temperatures Available upon Request

90+ CRI

2 STEP MACADAMS ELLIPSE

EFFICACY: UP TO 93 LPW

High Efficacy Available upon Request, Consult Factory for Additional Information

ELECTRICAL/LED DRIVER

DRIVER TYPE: ERP ESS/T & ESP/T

POWER FACTOR > 0.9

EFFICIENCY: UP TO 87% TYPICAL

INPUT VOLTAGE: 120-277 VAC (SEE DIMMING SECTION)

CLASS 2 POWER SUPPLY

LED DRIVER LIFETIME: > 100,000 HOURS (@ 25 DEG C AMBIENT)

IP64 MINIMUM RATING CASE WITH SILICONE-BASED POTTING

PROTECTIONS

Output Open Load, Over-Current and Short-Circuit (hiccup), and Over-Temperature with Auto Recovery

CONDUCTED AND RADIATED EMI

Compliant with FCC CFR Title 47 Part 15 Class B (120 Vac), Class A (277 Vac) and EN55015 (CISPR 15) at 220, 230 and 240 Vac

COMPLIANT WITH

Complies with Energy Star® DLR (DesignLight Consortium®) and CA Title 24 Technical Requirements

DIMMING

TRI-MODE DIMMING™

Compatible with TRIAC (forward-phase or leading-edge), ELV (reverse-phase or trailing-edge) and 0-10 V Dimmers

DIMMING RANGE 1-100%

The Dimming Range Is Dependent on Each Specific Dimmer. May Not Be Able to Achieve 1% Dimming with Some Dimmers.

TRIAC AND ELV DIMMING ONLY AT 120 VAC

ELV DIMMING AT 230 VAC

Available by Request

COMPATIBLE DIMMERS

Consult Factory for Additional Information on Dimming



by Signify

Site & Area

PureForm

PBL LED bollard



**138 BOSTON POST ROAD
EAST LYME, CT
D**

Project _____

Location _____

Call No. _____

Type _____

Lamps _____ Qty _____

Notes _____

Gardco PureForm LED bollard PBL integrates a sleek, low profile design, extraordinary light output, and energy savings into an innovative pedestrian scale luminaire. PureForm bollard features a high performance optical system designed to achieve wide spacings and full cutoff performance. Three heights available for a customized look. IP66 optics ensure dust or moisture will never interfere with performance.

Ordering guide

example: PBL-42-14L-450-NW-G2-5-UNV

Prefix	Shaft Height	Number of LEDs	Drive Current	LED Color - Generation	Distribution	Emergency	Voltage
PBL	42	14L	200	WW-G2	5		UNV
PBL PureForm bollard	36 Standard Shaft 36" 42 Standard Shaft 42" 60 Standard Shaft 60"	14L 14 LEDs (full ring)	100 100mA 200 200mA 350 350mA 450 450mA 600 600mA 800 800mA 1050 1050mA	WW-G2 Warm White 3000K, 70CRI Generation 2 NW-G2 Neutral White 4000K, 70CRI Generation 2 CW-G2 Cool White 5000K, 70CRI Generation 2	Type 3 3 Type 3 Type 5 5 Type 5	Leave blank for no battery EBP Emergency battery ^{2,7,10}	120 120V 208 208V 240 240V 277 277V 347 347V 480 480V UNV 120-277V (50/60Hz)
Options							Finish
Dimming controls		Motion sensing	Photo-sensing	Electrical		FINISH	
DD 0-10V External dimming (by others) ^{3,4} FAWS Field Adjustable ^{3,4} LLC Wireless controls without PIR sensor ^{3,4,5} BL Bi-level functionary with motion sensor ^{3,11}	IMRI Integral infrared ^{6,11}	PCB Photocontrol Button ^{8,10,12}	Fusing F1 Single (120, 277, 347VAC) ⁸ F2 Double (208, 240, 480VAC) ⁸ F3 Canadian Double Pull (208, 240, 480VAC) ⁸		Textured BK Black WH White BZ Bronze DGY Dark Gray MGY Medium Gray		
DynaDimmer: Automatic Profile Dimming ^{3,4} CS50 Security 50% Dimming, 7 hours CM50 Median 50% Dimming, 8 hours CS30 Security 30% Dimming, 7 hours CM30 Median 30% Dimming, 8 hours	Surge Protection (10kA standard) SP2 Increased 20kA GFCI Ground Fault Interrupt Outlet ⁹		Customer specified RAL Specify optional color or RAL (ex: RAL7024) CC Custom color (Must supply color chip for required factory quote)				

- Extended lead times apply. Contact factory for details.
- Not available in 100, 200 or 350mA.
- Not available with other control options.
- Not available with motion sensor.
- Not available with photocontrol.
- Available only with BL dimming control.
- Not available with LLC and CS/CM.
- Must specify input voltage.
- Available in 120V only.
- Not available in 347 or 480V.
- Not available in 100, 200, and 1050mA.
- Not available with LLC.



3000K only

PBL PureForm LED bollard

LED Wattage and Lumen Values

Ordering Code	LED Qty	LED Current (mA)	Color Temp.	Average System Watts	Type 3			Type 5		
					Lumen Output	BUG Rating	Efficacy (LPW)	Lumen Output	BUG Rating	Efficacy (LPW)
PBL-14L-100-NW-G2-xx	14	100	4000	6.1	492	B0-U0-G0	81	538	B1-U0-G0	88
PBL-14L-200-NW-G2-xx	14	200	4000	10.6	965	B0-U0-G0	91	1055	B1-U0-G0	100
PBL-14L-350-NW-G2-xx	14	350	4000	17.7	1608	B0-U0-G0	91	1758	B1-U0-G0	99
PBL-14L-450-NW-G2-xx	14	450	4000	23.1	2007	B0-U0-G1	87	2195	B2-U0-G1	95
PBL-14L-600-NW-G2-xx	14	600	4000	30.3	2551	B1-U0-G1	84	2789	B2-U0-G1	92
PBL-14L-800-NW-G2-xx	14	800	4000	40.5	3198	B1-U0-G1	79	3497	B2-U0-G1	86
PBL-14L-1050-NW-G2-xx	14	1050	4000	53.8	3853	B1-U0-G1	72	4213	B3-U0-G1	78

Values from photometric tests performed in accordance with IESNA LM-79 and are representative of the configurations shown. Actual performance may vary due to installation and environmental variables, LED and driver tolerances, and field measurement considerations. It is highly recommended to confirm performance with a photometric layout.

NOTE: Some data may be scaled based on tests of similar (but not identical) luminaires. Contact factory for configurations not shown.

LED Wattage and Lumen Values (Emergency Mode)

Ordering Code	LED Qty	LED Current (mA)	Color Temp.	Avg. System Watts		Lumen Outputs			
				Normal Mode	Emergency Mode	Type 3		Type 5	
						Normal Mode	Emergency Mode	Normal Mode	Emergency Mode
PBL-14L-450-NW-G2-xx-EBP	14	450	4000	23.1	10.4	2007	1211	2195	1324
PBL-14L-600-NW-G2-xx-EBP	14	600	4000	30.3	10.4	2551	1211	2789	1324
PBL-14L-800-NW-G2-xx-EBP	14	800	4000	40.5	10.4	3198	1211	3497	1324
PBL-14L-1050-NW-G2-xx-EBP	14	1050	4000	53.8	10.4	3853	1211	4213	1324

For emergency EBP option, publish values are based on initial lumens.

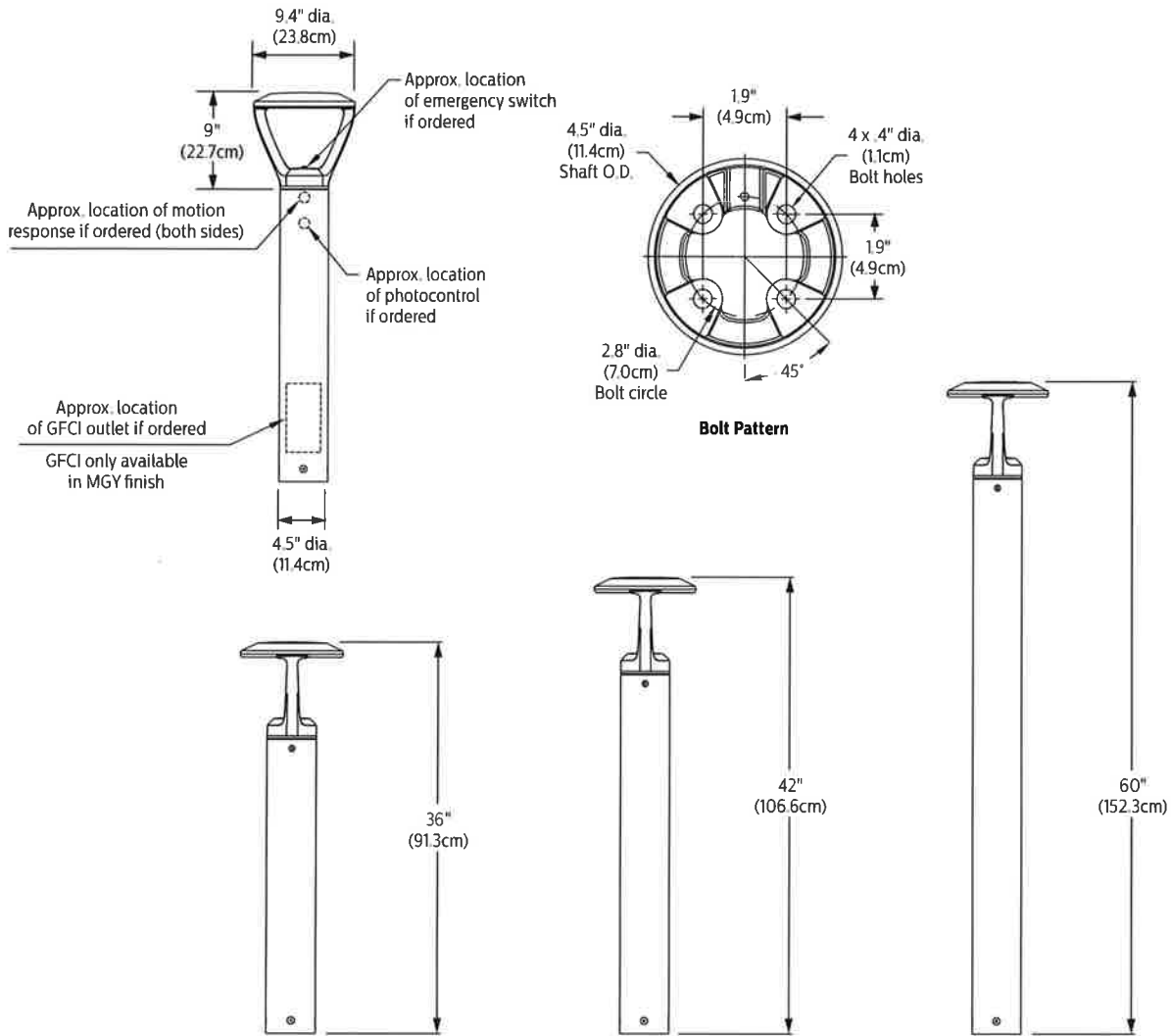
Predicted Lumen Depreciation Data

Predicted performance derived from LED manufacturer's data and engineering design estimates, based on IESNA LM-80 methodology. Actual experience may vary due to field application conditions. L₇₀ is the predicted time when LED performance depreciates to 70% of initial lumen output. Calculated per IESNA TM21-11. Published L₇₀ hours limited to 6 times actual LED test hours

Ambient Temperature °C	Driver mA	Calculated L ₇₀ Hours	L ₇₀ per TM-21	Lumen Maintenance % at 60,000 hrs
25°C	up to 1050mA	>100,000 hours	>60,000 hours	>95%

PBL PureForm LED bollard

Dimensions



PBL PureForm LED bollard

Specifications

Housing

Main body housing and yoke made of low copper cast aluminum alloy for a high resistance to corrosion. Luminaire shaft features a cylindrical extruded aluminum base housing. Bottom section has a casted ring for ease of assembly. It attaches to base assembly with four (4) hex head set screws. Most electrical components are integrated in the shaft of the bollard by design. This allows for the sleek profile, giving the freedom to have a clean minimalist aesthetic design with minimum obstruction to optical performance. Luminaire housing rated to IP65, tested in accordance to Section 9 of IEC 60598-1.

Light engine

Light engine comprises of a 14-LED module made out of aluminum metal clad board fully sealed with optics. Module is RoHS compliant. Color temperatures: 3000K +/- 125K, 4000K, 5000K +/- 200K. Minimum CRI of 70. LED light engine is rated IP66 in accordance to IEC 60598.

Energy saving benefits

System efficacy up to 100 lms/W with significant energy savings over Pulse Start Metal Halide luminaires. Optional control options provide added energy savings during unoccupied periods.

Optical systems

Type 3 and 5 distributions available. Performance tested per LM-79 and TM-15 certifying its photometric performance. Luminaire designed with 0% uplight (UO per IESNA TM-15).

Mounting

Base assembly consists of a cast aluminum platform. Assembly is secured and leveled to the mounting foundation with four (4) 3/8" X 8" x 1 1/2" (.953 cm x 20.32 cm x 3.81 cm)-16 anchor bolts on a 2 3/4" (6.9 cm) bolt circle.

Control options

0-10V dimming (DD): Access to 0-10V dimming leads supplied through base of luminaire (for secondary dimming controls by others). Cannot be used with other control options.

Field Adjustable Wattage Selector (FAWS): Luminaire equipped with the ability to manually adjust the wattage in the field to reduce total luminaire lumen output and light levels. Comes pre-set to the highest position at the lumen output selected. Use chart below to estimate reduction in lumen output desired. Cannot be used with other control options or motion response.

FAWS Position	Percent of Typical Lumen Output
1	25%
2	50%
3	55%
4	65%
5	75%
6	80%
7	85%
8	90%
9	95%
10	100%

Note: Typical value accuracy +/- 5%

Automatic Profile Dimming (CS/CM): Standard dimming profiles provide flexibility towards energy savings goals while optimizing light levels during specific dark hours. Dimming profiles include two dimming settings including dim to 30% or 50% of the total lumen output. When used in combination with not programmed motion response it overrides the controller's schedule when motion is detected. After 5 minutes with no motion, it will return to the automatic dimming profile schedule.

Automatic dimming profile scheduled with the following settings:

- CS50/CS30: Security for 7 hours night duration (Ex., 11 PM - 6 AM)
- CM50/CM30: Median for 8 hours night duration (Ex., 10 PM - 6 AM)

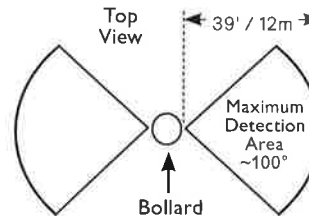
All above profiles are calculated from mid point of the night. Dimming is set for 6 hours after the mid point and 2, or 3 hours before depending of the duration of dimming. Cannot be used with other dimming control options.

Wireless system (LLC): Optional wireless controller integral to luminaire ready to be connected to a Limelight system (sold by others). The system allows you to wirelessly manage the entire site, independent lighting groups or individual luminaires while on-site or remotely. Based on a high-density mesh network with an easy to use web-based portal, you can conveniently access, monitor and manage your lighting network remotely. Wireless controls can be combined with site and area, pedestrian, and parking garage luminaires as well, for a completely connected outdoor solution. Motion response capability can be installed in other luminaires in the mesh or on a remote pod accessory where pod is mounted to pole or wall.

Emergency Battery Pack (EBP): Emergency battery packs included integral to the luminaire, allowing for no field installation of remote emergency equipment. EBP is suitable for use in ambient temperature conditions from 0°C (-32°F) to 40°C (100°F) available on 450mA and up. The system is designed to have a secondary driver with relay to immediately detect AC power loss to power luminaire for a minimum of 90 minutes from the time power is lost. Available with 120-277V, or 'UNV' only.

Motion response options

Infrared Motion Response Integral (BL-IMRI): Motion Response module is mounted integral to luminaire factory pre-programmed to 20% dimming when not ordered with other control options. BL-IMRI is set/operates in the following fashion: When motion is not detected for a 5 -minute period, luminaires automatically dim to 20% power and light, gradually over a 2 -minute period. Once Motion is detected, luminaires immediately ramp to full power and light output until motion is not detected for a 5-minute period.



Electrical

Driver: Driver efficiency (>90% standard). 120-277V available, Bollards with 347V or 480V input require and include a step-down transformer (placed within the bollard shaft) to provide proper input voltage to the LED power supply. Open/short circuit protection. Optional 0-10V dimming to 10% power. RoHS compliant.

Surge protection: Each luminaire is provided as standard with surge protector tested in accordance with ANSI/IEEE C62.45 per ANSI/IEEE C62.41.2 Scenario I Category C High Exposure 10kV/5kA waveforms for Line Ground, Line Neutral and Neutral Ground, and in accordance with U.S. DOE (Department of Energy) MSSLC (Municipal Solid-State Street Lighting Consortium) Model Specification for LED Roadway Luminaires Appendix D Electrical Immunity High Test Level 10kV / 5kA. Optional 20kV is available for additional protection.

Ground Fault Interrupt Outlet (GFCI): Optional Class A Rated White 15-Amp GFCI (Ground Fault Circuit Interrupter) Duplex Outlet provides electrical shock protection and prevents the risk of electrical fire caused by ground fault current. GFCI only available in MGY finish.

PBL PureForm LED bollard

Specifications (cont'd)

Listings

UL 1598 standard, suitable for Wet Locations. Suitable for use in ambients from -40° to 40°C (-40° to 104°F). The quality systems of this facility have been registered by UL to the ISO 9001 series standards. Most PureForm PBL configurations are DesignLights Consortium® qualified. Consult DLC Qualified Products list for more details. CCTs 3000K and warmer are Dark Sky Approved.

Finish

Each standard color luminaire receives a fade and abrasion resistant, electrostatically applied, thermally cured, triglycidal isocyanurate (TGIC) textured polyester powdercoat finish. The surface treatment achieves a minimum of 1000 hours for salt spray resistant finish in accordance with testing performed and per ASTM B117 standard. Standard colors include bronze (BZ), black (BK), white (WH), dark gray (DGY), and medium gray (MGY). Consult factory for specs on optional or custom colors.

Warranty

PureForm luminaires feature a 5-year limited warranty. See [signify.com/warranties](#) for complete details and exclusions.

Buy American Act of 1933 (BAA):

This product is manufactured in one of our US factories and, as of the date of this document, this product was considered a commercially available off-the-shelf (COTS) item meeting the requirements of the BAA. This BAA designation hereunder does not address (i) the applicability of, or availability of a waiver under, the Trade Agreements Act, or (ii) the "Buy America" domestic content requirements imposed on states, localities, and other non-federal entities as a condition of receiving funds administered by the Department of Transportation or other federal agencies. Prior to ordering, please visit www.signify.com/baa to view a current list of BAA-compliant products to confirm this product's current compliance.



© 2022 Signify Holding. All rights reserved. The information provided herein is subject to change, without notice. Signify does not give any representation or warranty as to the accuracy or completeness of the information included herein and shall not be liable for any action in reliance thereon. The information presented in this document is not intended as any commercial offer and does not form part of any quotation or contract, unless otherwise agreed by Signify.

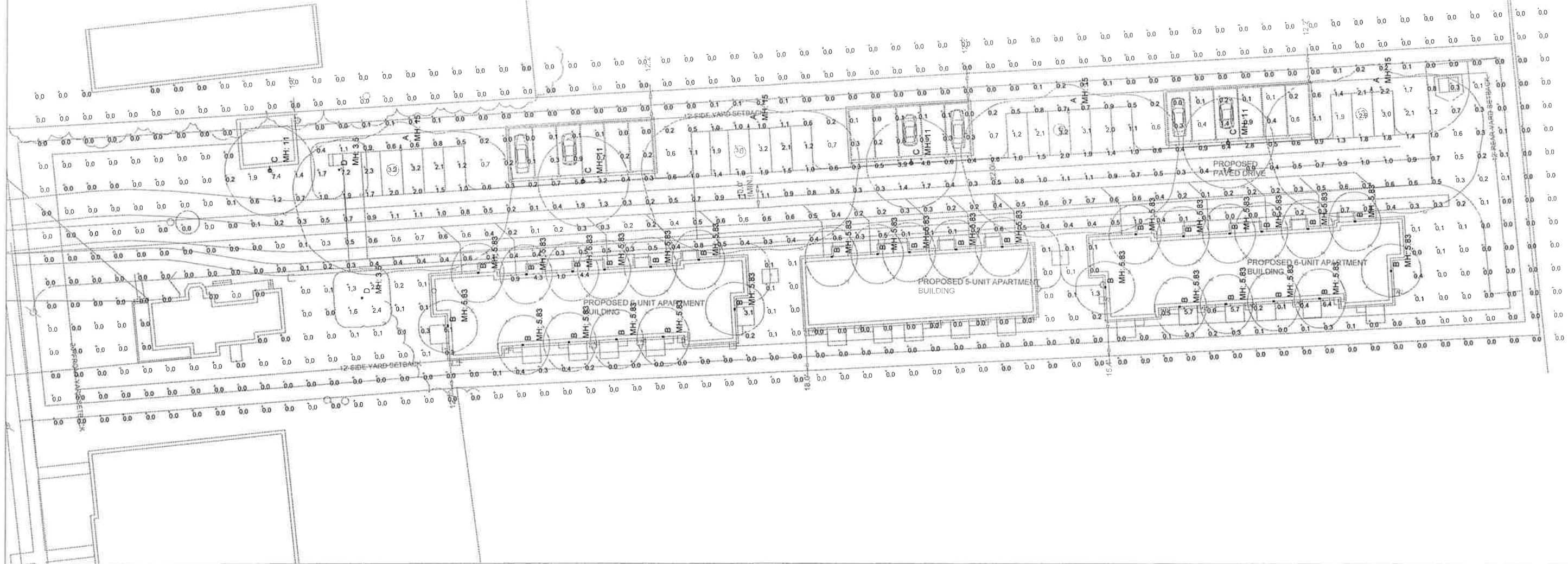
Signify North America Corporation
400 Crossing Blvd, Suite 600
Bridgewater, NJ 08807
Telephone 855-486-2216

Signify Canada Ltd.
281 Hillmount Road,
Markham, ON, Canada L6C 2S3
Telephone 800-668-9008

All trademarks are owned by Signify Holding or their respective owners.

N/F
 RAPIDO LLC
 132 BOSTON POST RD
 NO KNOWN DESIGN CONFLICT

N/F
 EASTERN SHORE ENTERPRISES
 130 BOSTON POST ROAD
 NO KNOWN DESIGN CONFLICT



ILLUMINATION CALCULATIONS
 AREA: 10,000 SQ FT
 LUMINAIRE: 100 WATT
 MOUNTING HEIGHT: 10 FT
 FOOT-CANDLE: 10
 LUMENS: 1000
 FOOT-CANDLES PER SQ FT: 10

Qty	Label	Arrangement	Lumens	Input Watts	LLF	BSG Rating	Description
1	A	Single	5748	55.7	0.80	01-02	BARSLIGHT 5.5-5.83-100-022-LED27-3000K-FL/WALL MOUNTED
20	B	Single	770	11	0.80	01-01	SUNPARK 3-4311D 25-3000K 11W WALL MOUNTED
4	C	Single	1989	27	0.80	01-01	BARSLIGHT 5.5-5.83-100-022-LED27-3000K-FL/WALL MOUNTED
2	D	Single	705	10.6	0.80	01-01	BARSLIGHT 5.5-5.83-100-022-LED27-3000K-FL/WALL MOUNTED

Label	Grid Range	Avg	Max	Min	Avg/Min	Max/Min
Site		0.33	7.4	0.0	N/A	N/A
Drive Area		0.80	1.8	0.1	8.00	89.00
Parking Spaces		1.84	2.2	1.5	1.84	3.25
Subway		0.33	1.0	0.0	N/A	N/A

GENERAL DISCLAIMER:
 Calculations have been performed according to IES standards and good practice. Some differences between measured values and calculated results may occur due to tolerances in calculation methods, testing procedures, component performance, measurement techniques and field conditions such as voltage and temperature variations. Input data used to generate the attached calculations such as room dimensions, reflectances, furniture and architectural elements significantly affect the lighting calculations. If the real environment conditions do not match the input data, differences will occur between measured values and calculated values.

* LLF Determined Using Current Published Lamp Data

NOTE TO REVIEWER:
 Total Light Loss Factor (LLF) applied at time of design is determined by applying the Lamp Lumen Depreciation (LLD) from current lamp manufacturer's catalog, a Luminaire Dirt Depreciation Factor (LDD) based on IES recommended values and a Ballast Factor (BF) from current ballast specification sheets. Application of an incorrect Light Loss Factor (LLF) will result in forecasts of performance that will not accurately depict actual results.

For proper comparison of photometric layouts, it is essential that you insist all designers use correct Light Loss Factors.

