

PLOT PLAN	SD 1
DRIVEWAY PROFILE	SD 2
DRIVEWAY CROSS SECTIONS	SD 3
DETAILS	SD 4
SEPTIC SYSTEM DETAILS	SD 5

THESE PLANS ARE THE SOLE PROPERTY OF J. ROBERT PFANNER & ASSOCIATES P.C. AND HAVE BEEN PREPARED SOLELY FOR THIS OWNER ON THIS SITE. ANY REPRODUCTION OF THESE PLANS WITHOUT WRITTEN PERMISSION FROM J. ROBERT PFANNER & ASSOCIATES P.C. MAY BE AN INFRINGEMENT OF THE FEDERAL COPYRIGHT ACT.

DRAWN BY: JRP		DATE: APRIL 10, 2021	
NO.	DATE	DESCRIPTION	BY

J. ROBERT PFANNER & ASSOCIATES, P.C.
CIVIL ENGINEERS & LAND SURVEYORS

37 GRAND STREET NIANTIC, CONNECTICUT 06357
 TEL. 860-739-6216 FAX 860-739-0693

GRAPHIC SCALE

TITLE: **COVER SHEET**
PREPARED FOR
DANIELA GJERGJAJ

LOCATION: 29 Rocco Drive - East Lyme Connecticut

SHEET NUMBER
C-1
 20019-2



LEGEND

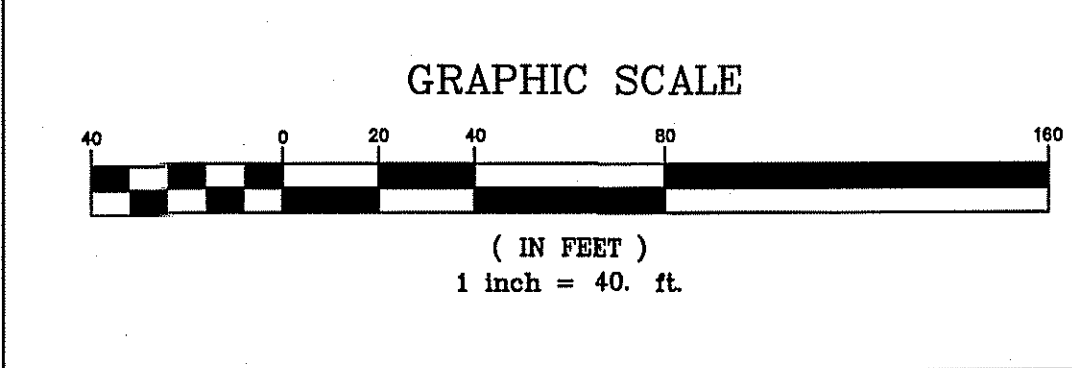
- EXISTING CONTOUR
- PROPOSED CONTOUR
- BUILDING LINE
- WATER LINE
- UTILITIES (PHONE,ELEC.,CABLE TV,ETC.)
- UTILITY POLE
- SILTFENCE
- GUARD RAIL
- MONUMENT
- IRON PIN
- FINISHED FLOOR ELEVATION
- FINISHED BASEMENT ELEVATION
- DEEP TEST HOLE LOCATION
- PERC. TEST LOCATION
- STONEMALL
- TREE LINE
- CATCH BASIN
- WETLANDS LOCATION FLAG
- STORM SEWER
- SANITARY CLEAN-OUT
- WETLANDS FLAGS
- WATER FLOW ARROW

THESE PLANS ARE THE SOLE PROPERTY OF J. ROBERT PFANNER & ASSOCIATES P.C. AND HAVE BEEN PREPARED SOLELY FOR THIS OWNER ON THIS SITE. ANY REPRODUCTION OF THESE PLANS WITHOUT WRITTEN PERMISSION FROM J. ROBERT PFANNER & ASSOCIATES P.C. MAY BE AN INFRINGEMENT OF THE FEDERAL COPYRIGHT ACT.

DRAWN BY: JRP		DATE: APRIL 10, 2021	
NO.	DATE	DESCRIPTION	BY

J. ROBERT PFANNER & ASSOCIATES, P.C.
CIVIL ENGINEERS & LAND SURVEYORS

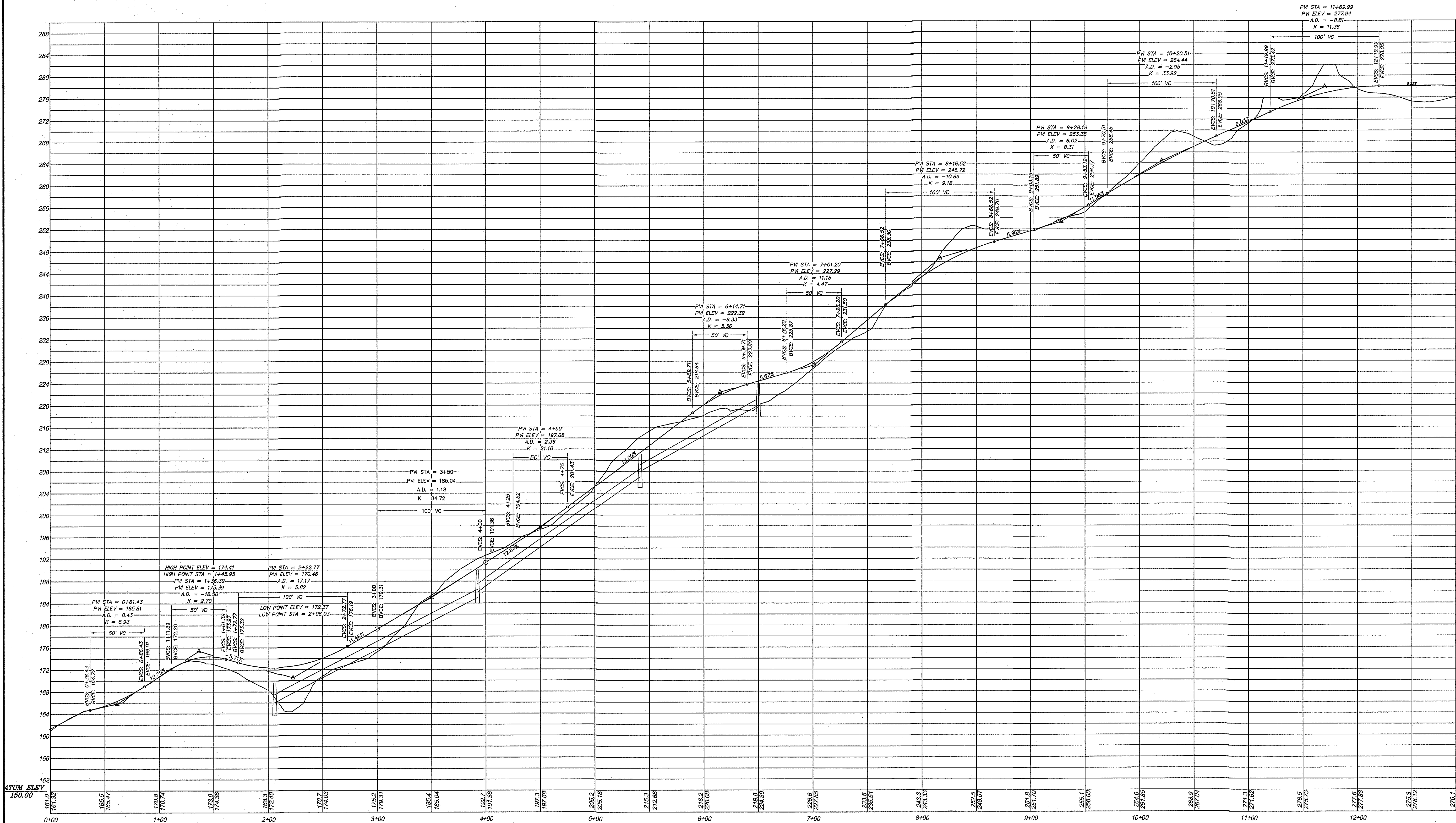
37 GRAND STREET NIANTIC, CONNECTICUT 06357
 TEL. 860-739-6216 FAX 860-739-0693

TITLE: **PLOT PLAN**
PREPARED FOR
DANIELA GJERGJAJ

LOCATION: 29 Rocco Drive - East Lyme Connecticut

SHEET NUMBER
SD 1
 20019-5



THESE PLANS ARE THE SOLE PROPERTY OF J. ROBERT PFANNER & ASSOCIATES P.C. AND HAVE BEEN PREPARED SOLELY FOR THE OWNER ON THIS SITE. ANY REPRODUCTION OF THESE PLANS WITHOUT WRITTEN PERMISSION FROM J. ROBERT PFANNER & ASSOCIATES P.C. MAY BE AN INFRINGEMENT OF THE FEDERAL COPYRIGHT ACT.

NO.	DATE	DESCRIPTION	BY

REVISIONS

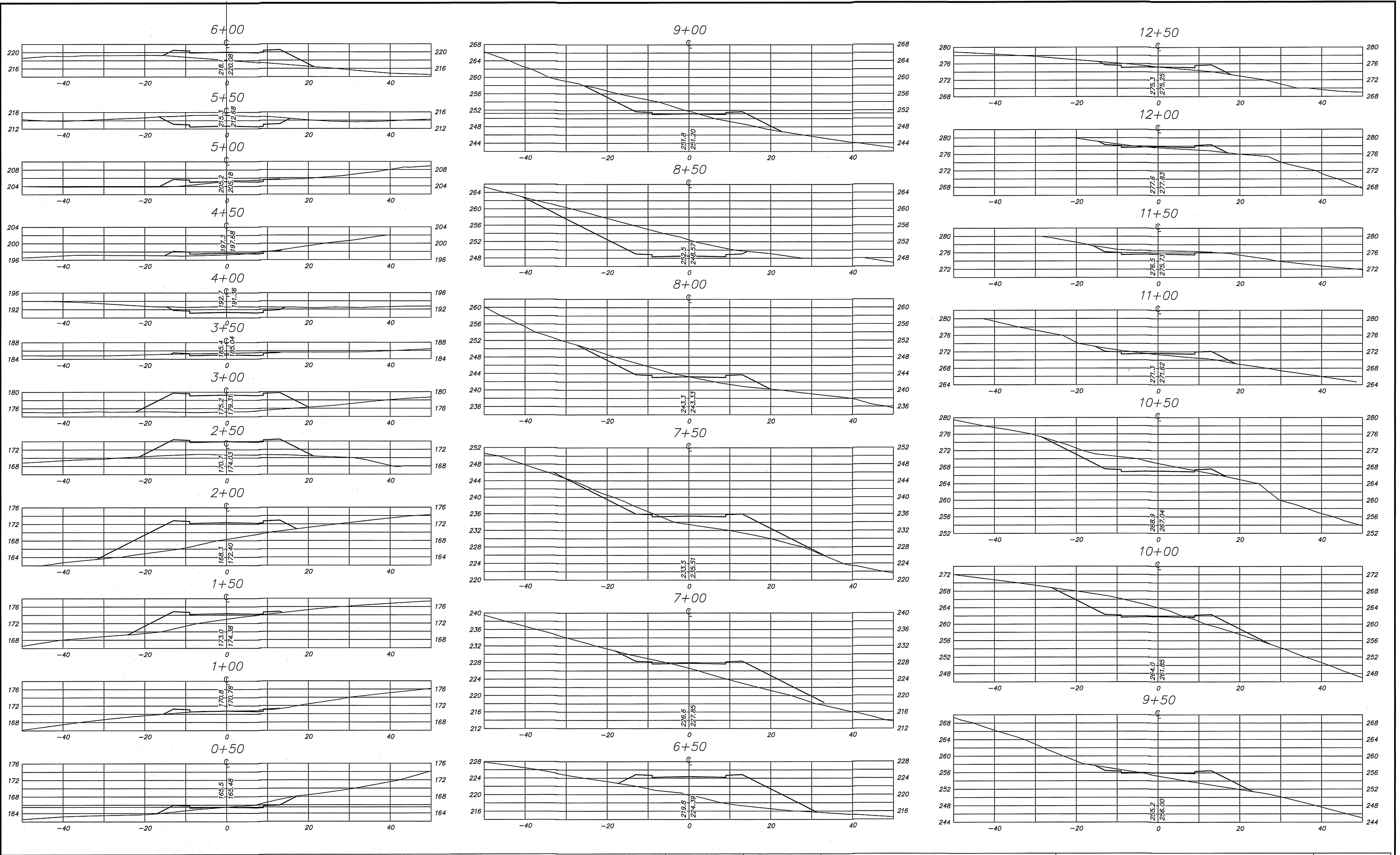
J. ROBERT PFANNER & ASSOCIATES, P.C.
CIVIL ENGINEERS & LAND SURVEYORS

37 GRAND STREET NIANTIC, CONNECTICUT 06357
 TEL. 860-739-6216 FAX 860-739-0693

GRAPHIC SCALE
 VERTICAL 1" = 8'
 HORIZONTAL 1" = 40'

TITLE:
 PROFILE
 DRIVEWAY
 PREPARED FOR
 DANIELA GJERGJAJ
 LOCATION: 29 Rocco Drive - East Lyme Connecticut

SHEET NUMBER
 SD 2
 20019-5



THESE PLANS ARE THE SOLE PROPERTY OF J. ROBERT PFANNER & ASSOCIATES P.C. AND HAVE BEEN PREPARED SOLELY FOR THIS OWNER ON THIS SITE. ANY REPRODUCTION OF THESE PLANS WITHOUT WRITTEN PERMISSION FROM J. ROBERT PFANNER & ASSOCIATES P.C. MAY BE AN INFRINGEMENT OF THE FEDERAL COPYRIGHT ACT.

DRAWN BY: JRP DATE: APRIL 10, 2021

NO.	DATE	DESCRIPTION	BY

REVISIONS

J. ROBERT PFANNER & ASSOCIATES, P.C.
CIVIL ENGINEERS & LAND SURVEYORS

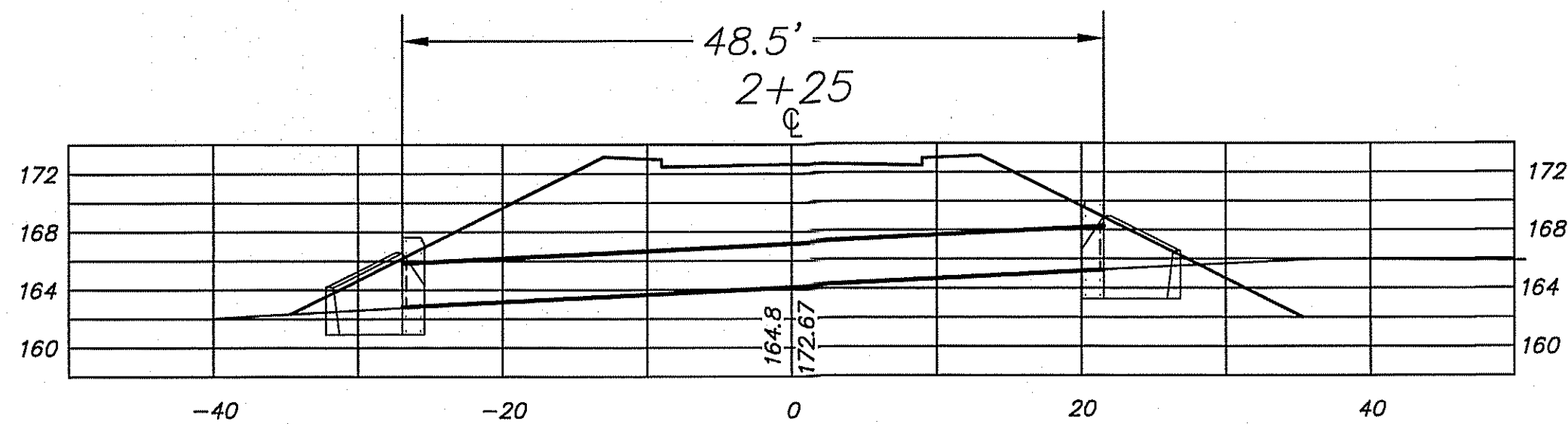
37 GRAND STREET NIANTIC, CONNECTICUT 06357
 TEL. 860-739-6216 FAX 860-739-0693

GRAPHIC SCALE
 VERTICAL 1" = 8'
 HORIZONTAL 1" = 40'

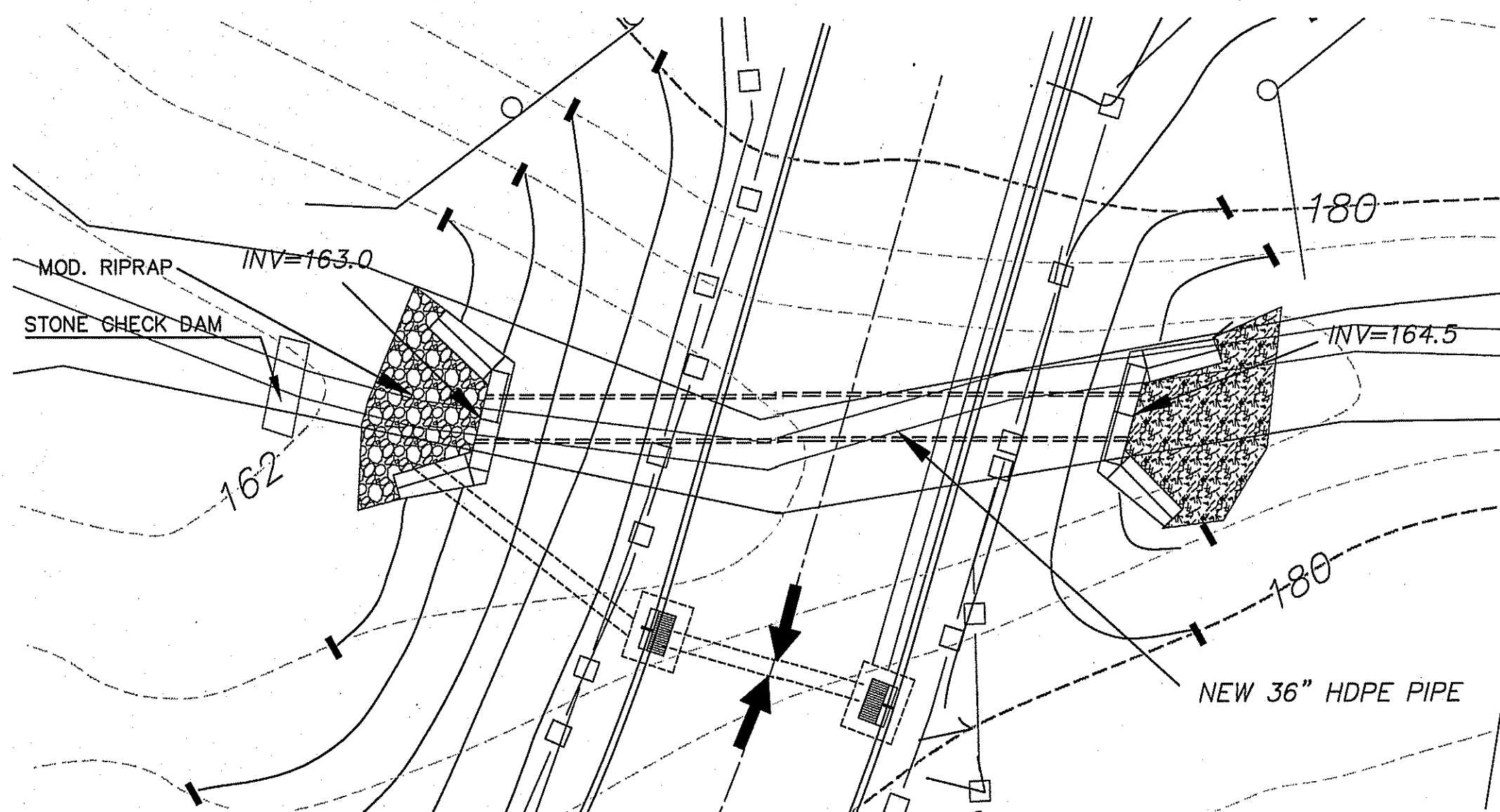
TITLE:
 CROSS-SECTIONS
 DRIVEWAY
 PREPARED FOR
 DANIELA GJERGJAJ

LOCATION: 29 Rocco Drive - East Lyme Connecticut

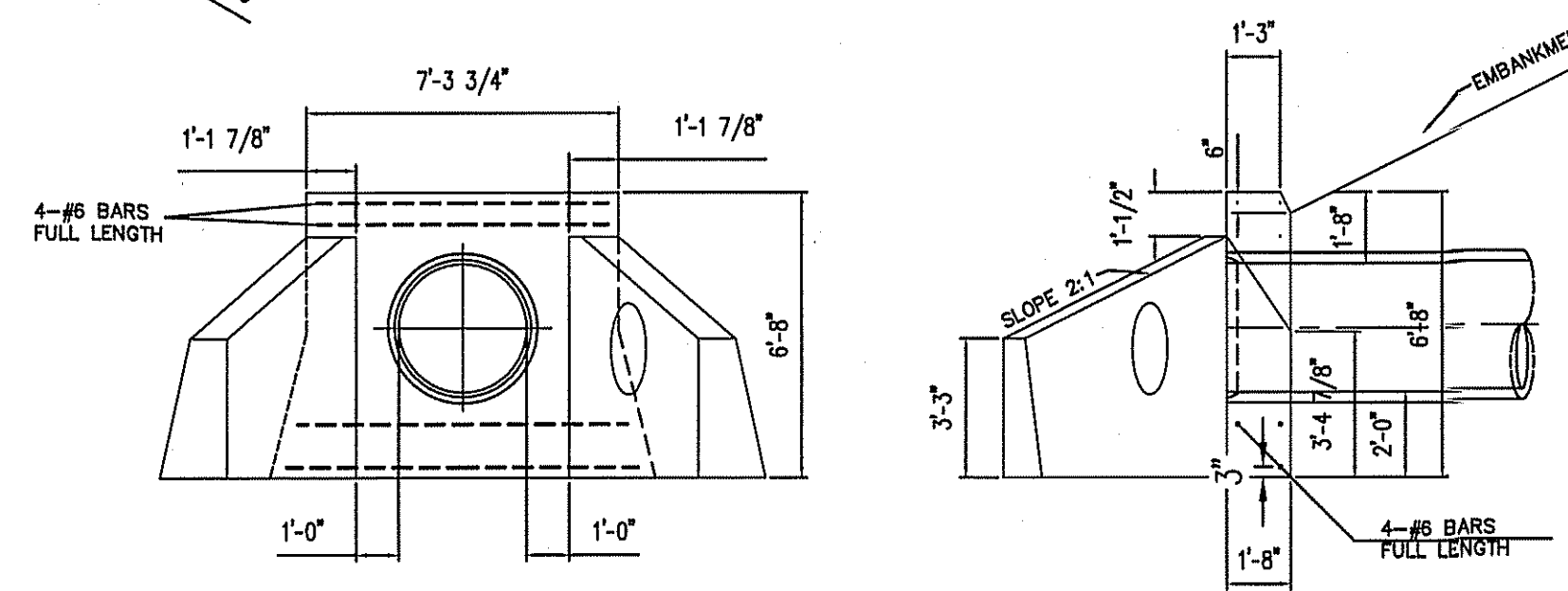
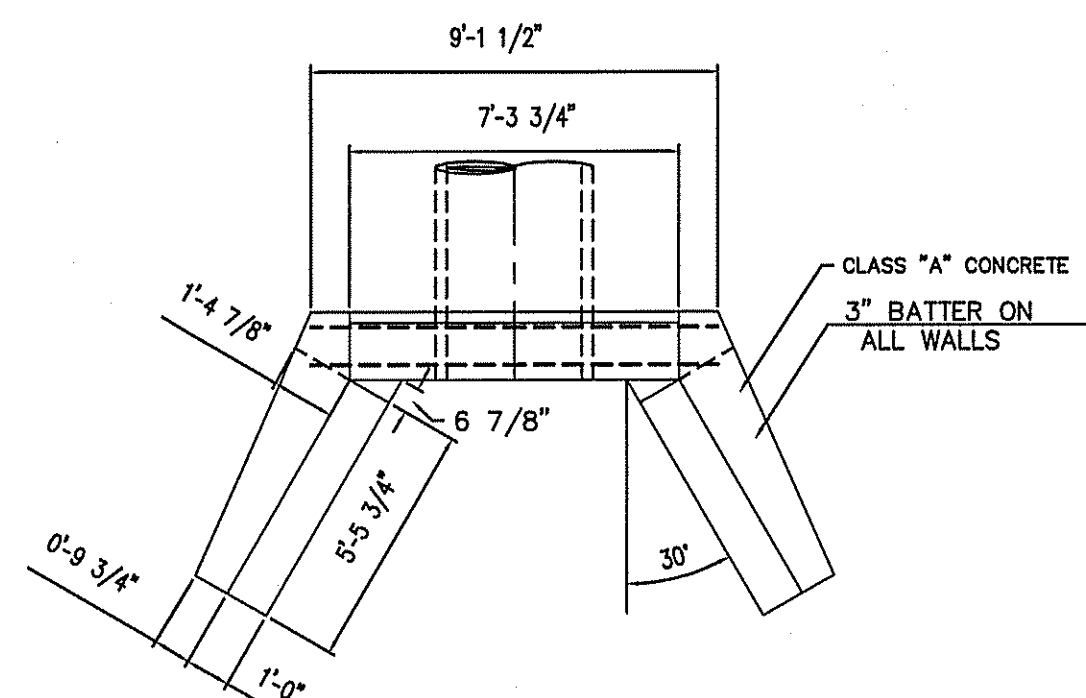
SHEET NUMBER
 SD 3
 20019-5



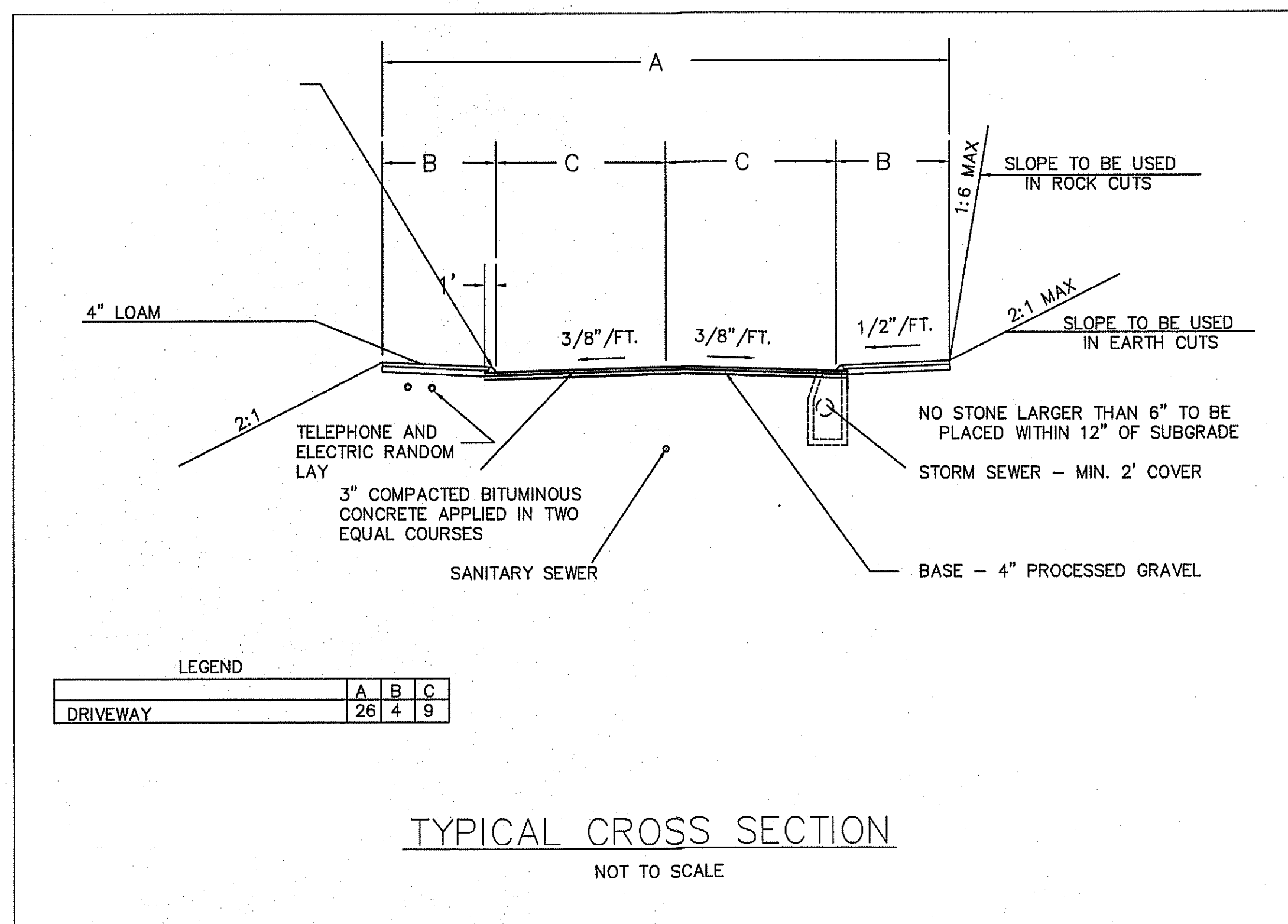
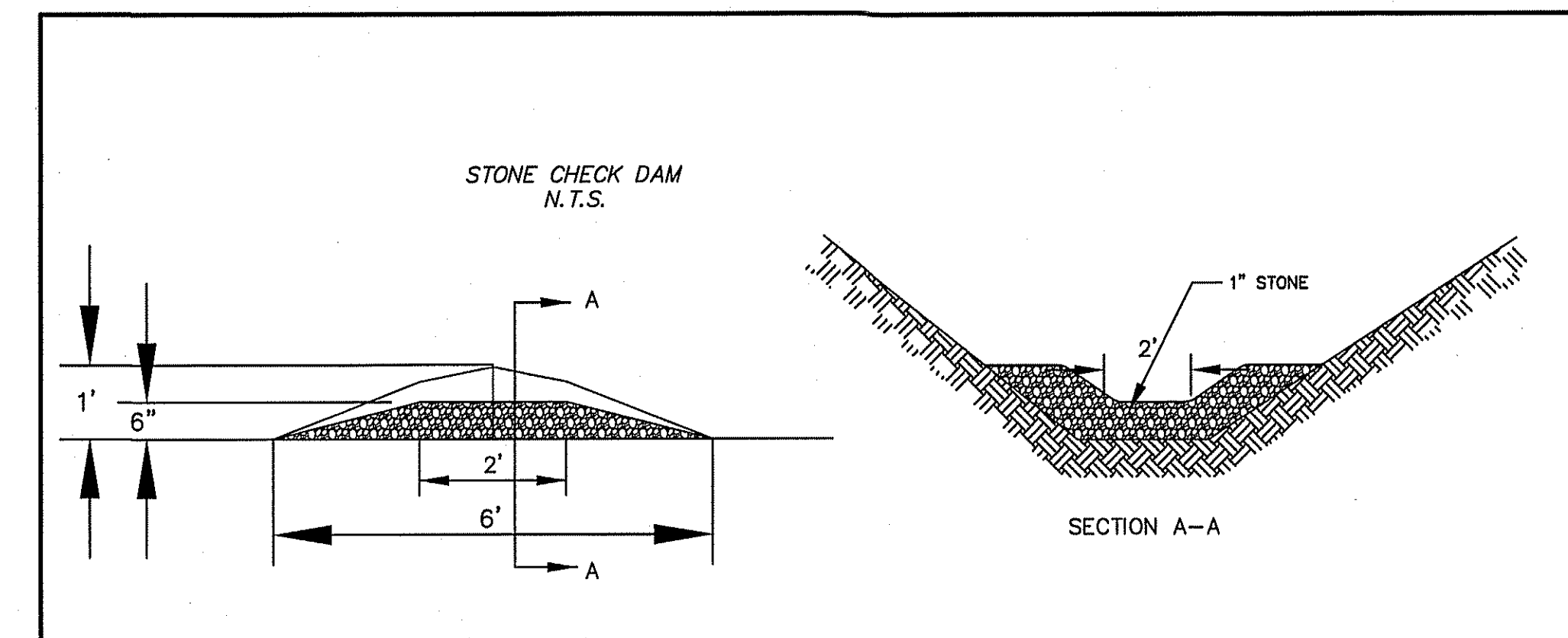
SCALE 1" = 10'



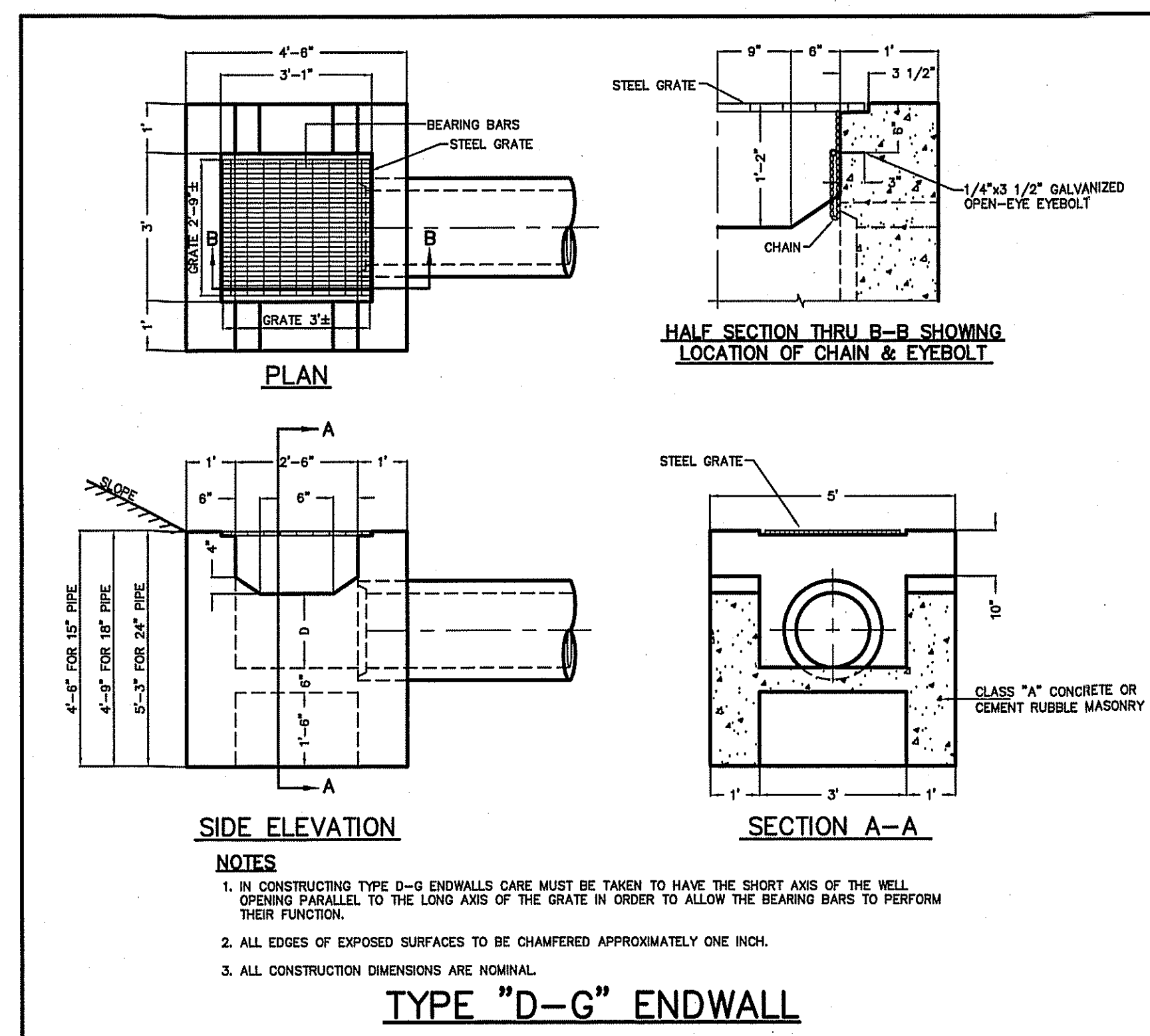
SCALE 1" = 10'



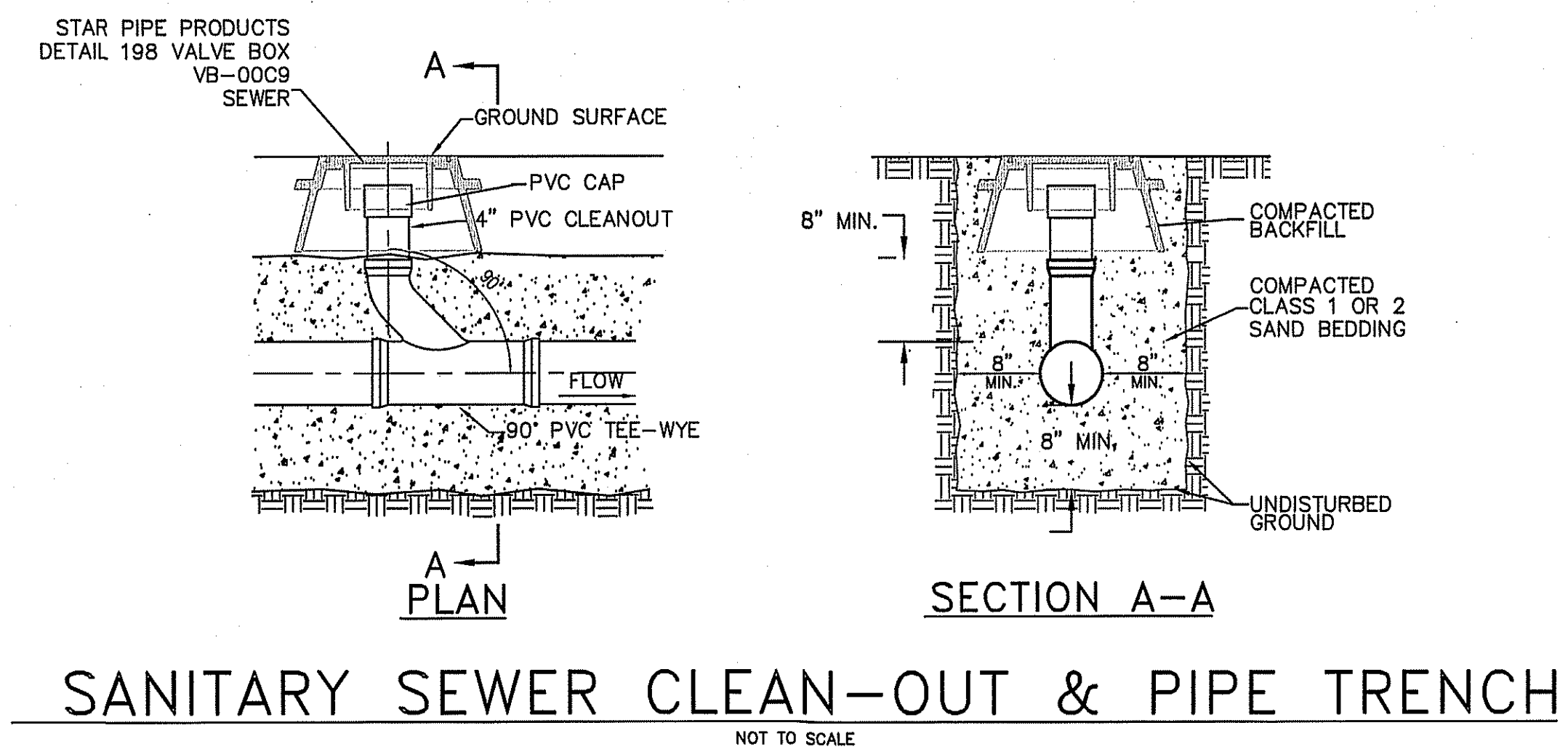
STANDARD WING TYPE ENDWALL
N.T.S.



TYPICAL CROSS SECTION
NOT TO SCALE



TYPE "D-G" ENDWALL

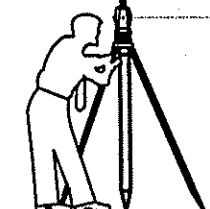


SANITARY SEWER CLEAN-OUT & PIPE TRENCH
NOT TO SCALE

THESE PLANS ARE THE SOLE PROPERTY OF J. ROBERT PFANNER & ASSOCIATES P.C. AND HAVE BEEN PREPARED SOLELY FOR THIS OWNER ON THIS SITE. ANY REPRODUCTION OF THESE PLANS WITHOUT WRITTEN PERMISSION FROM J. ROBERT PFANNER & ASSOCIATES P.C. MAY BE AN INFRINGEMENT OF THE FEDERAL COPYRIGHT ACT.

DRAWN BY: JRP		DATE: APRIL 10, 2021	
NO.	DATE	DESCRIPTION	BY

J. ROBERT PFANNER & ASSOCIATES, P.C.
CIVIL ENGINEERS & LAND SURVEYORS



37 GRAND STREET NIANTIC, CONNECTICUT 06357
TEL. 860-739-6216 FAX 860-739-0693

GRAPHIC SCALE
AS SHOWN

TITLE:

DETAILS
PREPARED FOR
DANIELA GJERGJAJ

LOCATION: 29 Rocco Drive - East Lyme Connecticut

SHEET NUMBER

SD 4

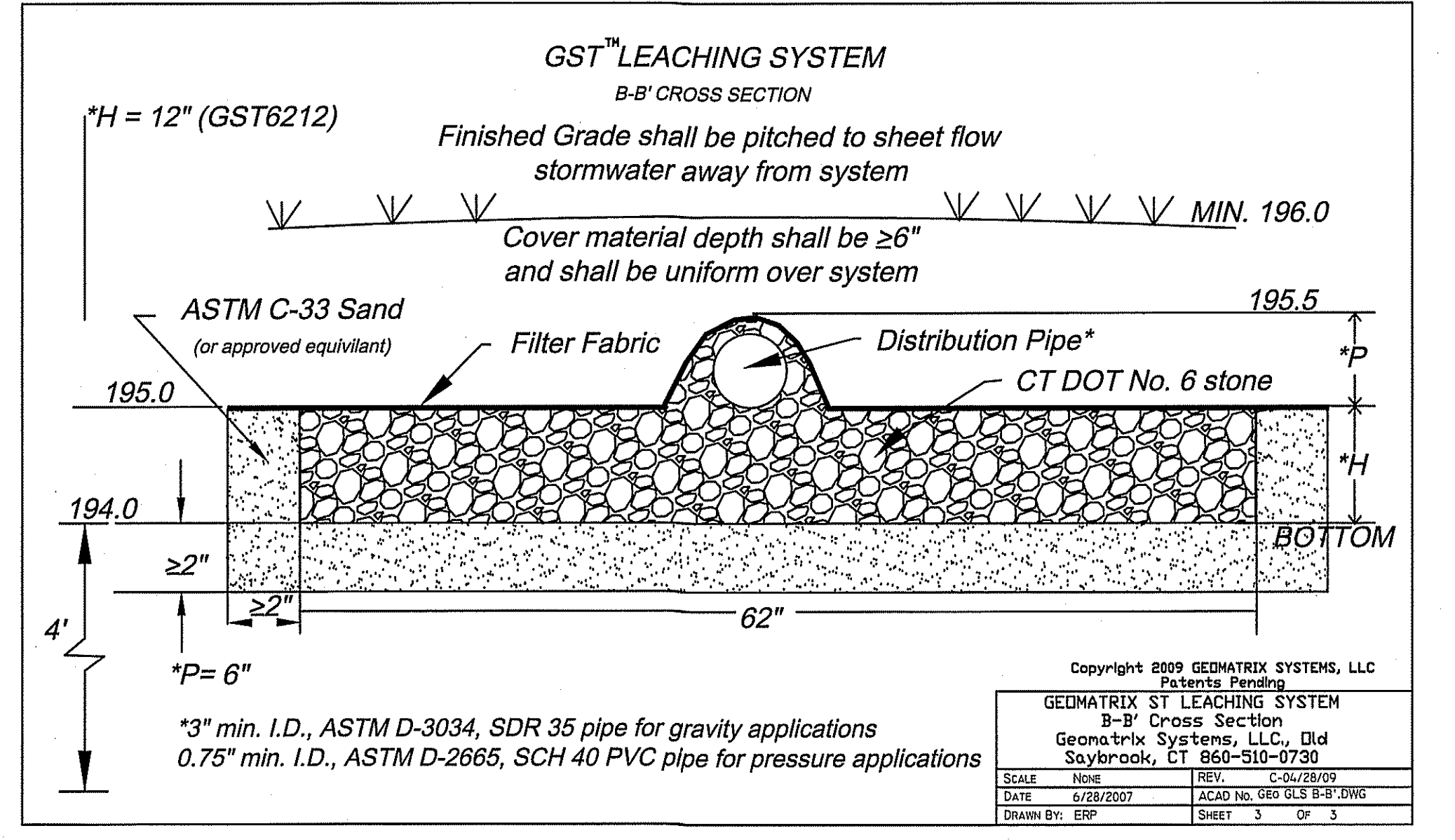
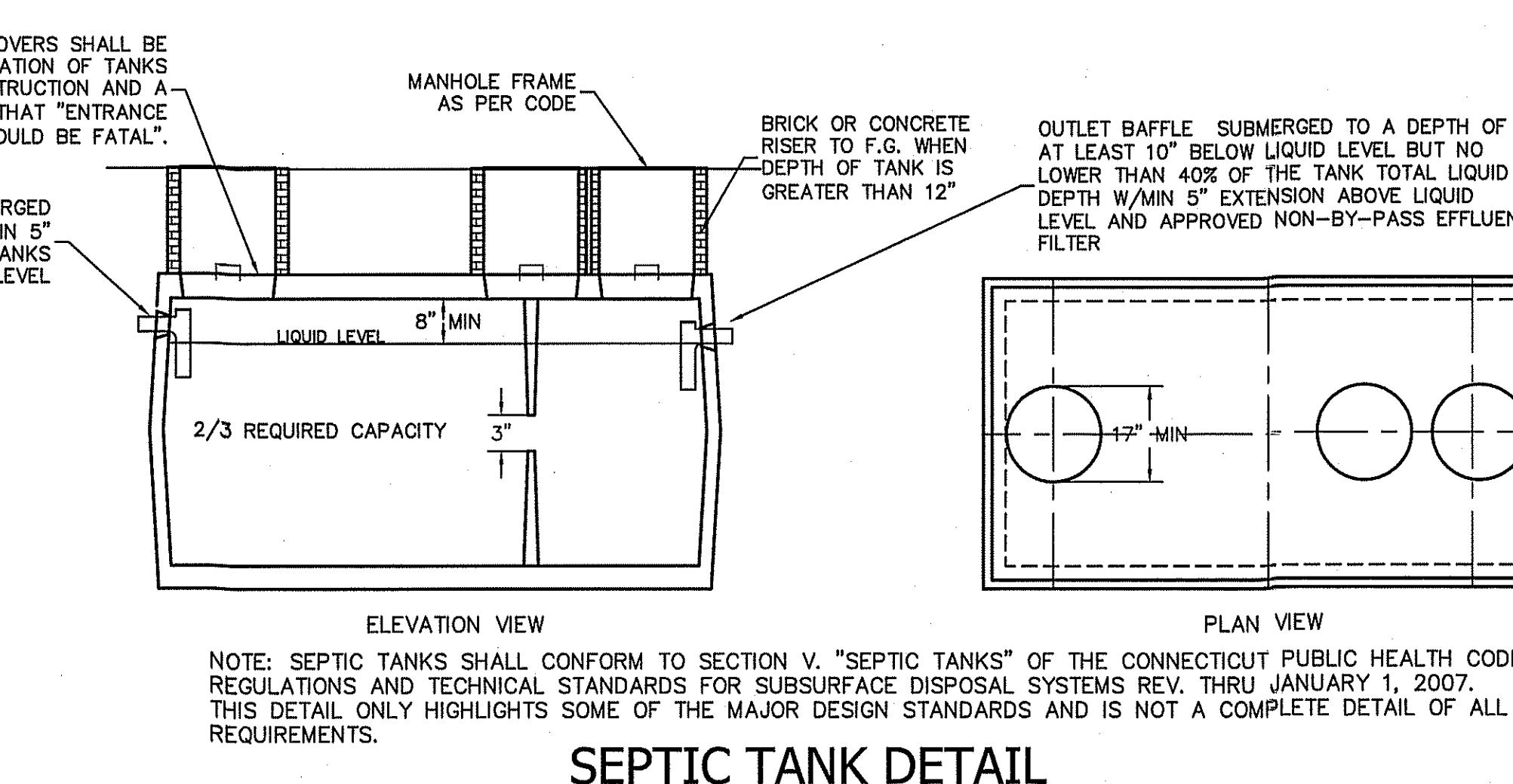
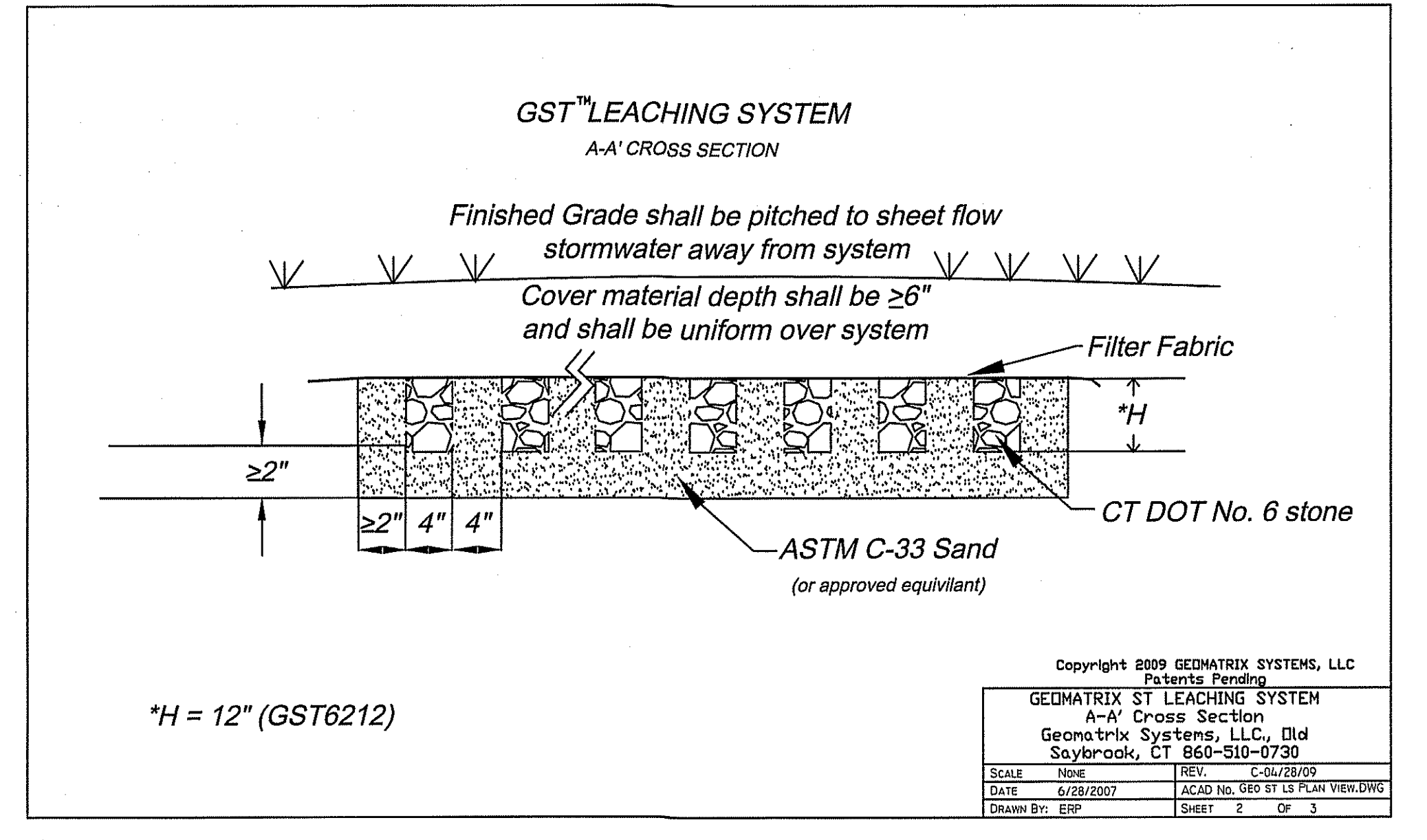
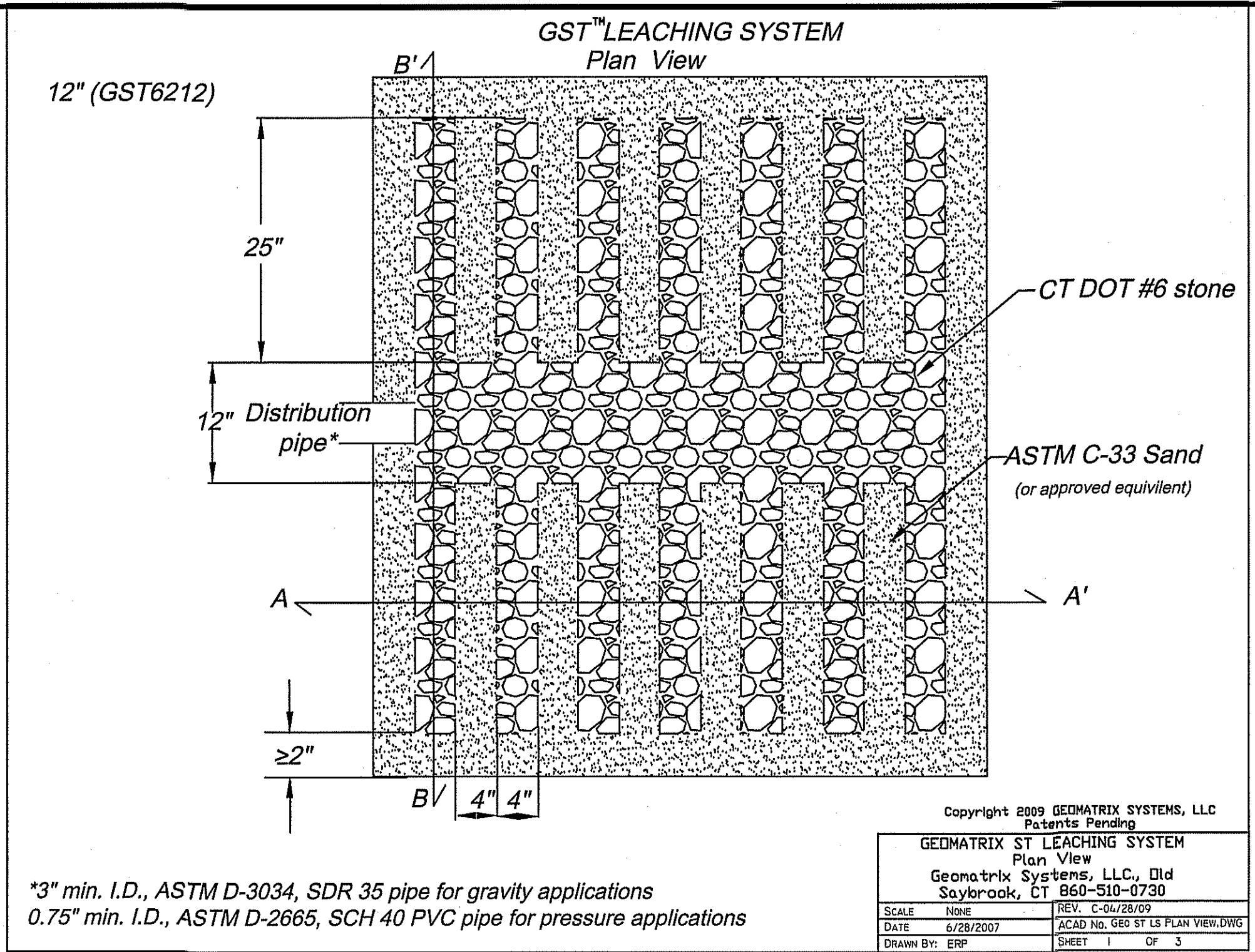
20019-5

DESIGN NOTES:

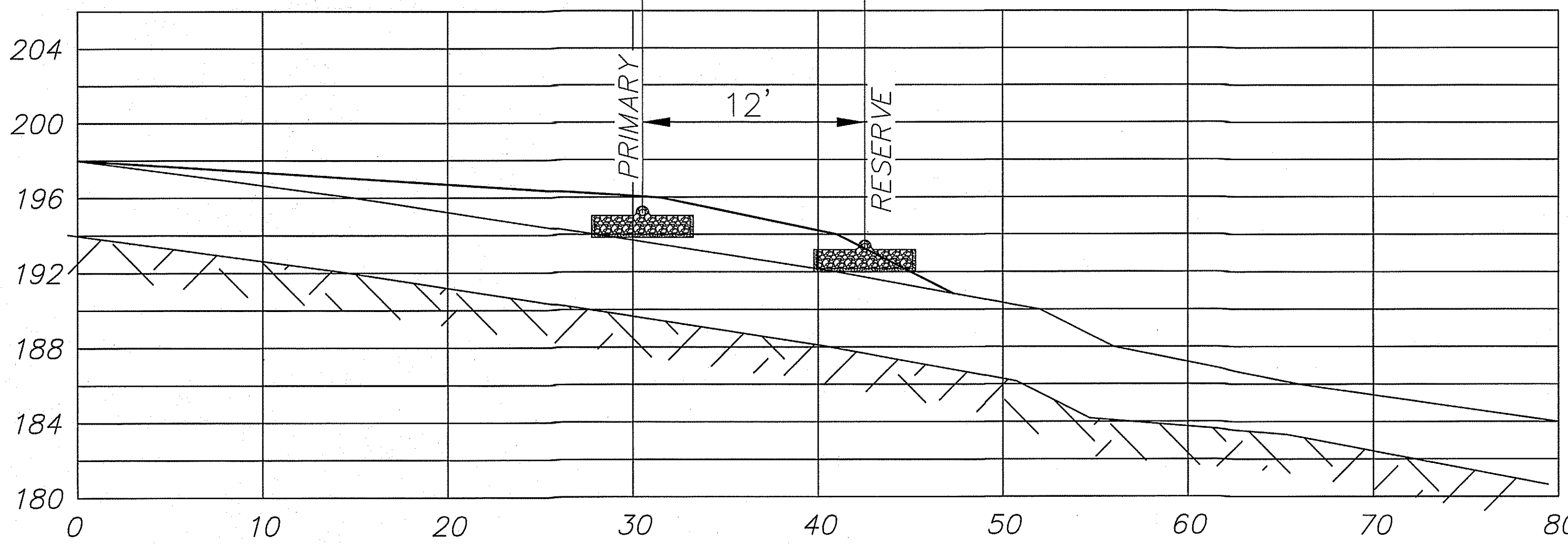
- BASIS OF SANITARY DESIGN = 4 BEDROOM HOUSE WITH 1-10 MIN./IN. PERC. RATE. USE MIN. 1500 GALLON SEPTIC TANK WITH GEOMATRIX GST 6212 AS SHOWN ON.
TOTAL LEACHING AREA REQUIRED = 577.5 S.F.
AREA PROVIDED = 60' GST 6212 @ 10.0 S.F./L.F.=600 S.F.
 - WATER SUPPLY BY ON SITE WELL.
 - SOLID PIPING BETWEEN SEPTIC TANK AND TRENCHES TO BE D3034 SDR 40 PVC WITH MIN 1/4" PER FOOT SLOPE.
 - REMOVE ANY UNSUITABLE MATERIAL WITHIN SEPTIC SYSTEM AND REPLACE WITH "SELECT FILL MATERIAL" THE FILL SHALL MEET THE FOLLOWING REQUIREMENTS UNLESS OTHERWISE APPROVED BY THE DESIGN PROFESSIONAL ENGINEER FOR USE WITHIN THE LEACHING AREA:
 - THE SELECT FILL SHALL NOT CONTAIN ANY MATERIAL LARGER THEN THREE (3) INCH SIEVE.
 - UP TO 45% OF THE DRY WEIGHT OF THE REPRESENTATIVE SAMPLE MAY BE RETAINED ON THE #4 SIEVE (THIS IS THE GRAVEL PORTION OF THE SAMPLE).
 - THE MATERIAL THAT PASSES THE #4 SIEVE IS THEN REWEIGHED AND THE SIEVE ANALYSIS STARTED.
 - THE REMAINING SAMPLE SHALL MEET THE FOLLOWING GRADATION CRITERIA:

SIEVE SIZE	PERCENT PASSING WET SIEVE	PERCENT PASSING DRY SIEVE
#4	100	100
#10	70% - 100%	70% - 100%
#40	10% - 50%*	10% - 75%
#100	0% - 20%	0% - 5%
#200	0% - 5%	0% - 2.5%

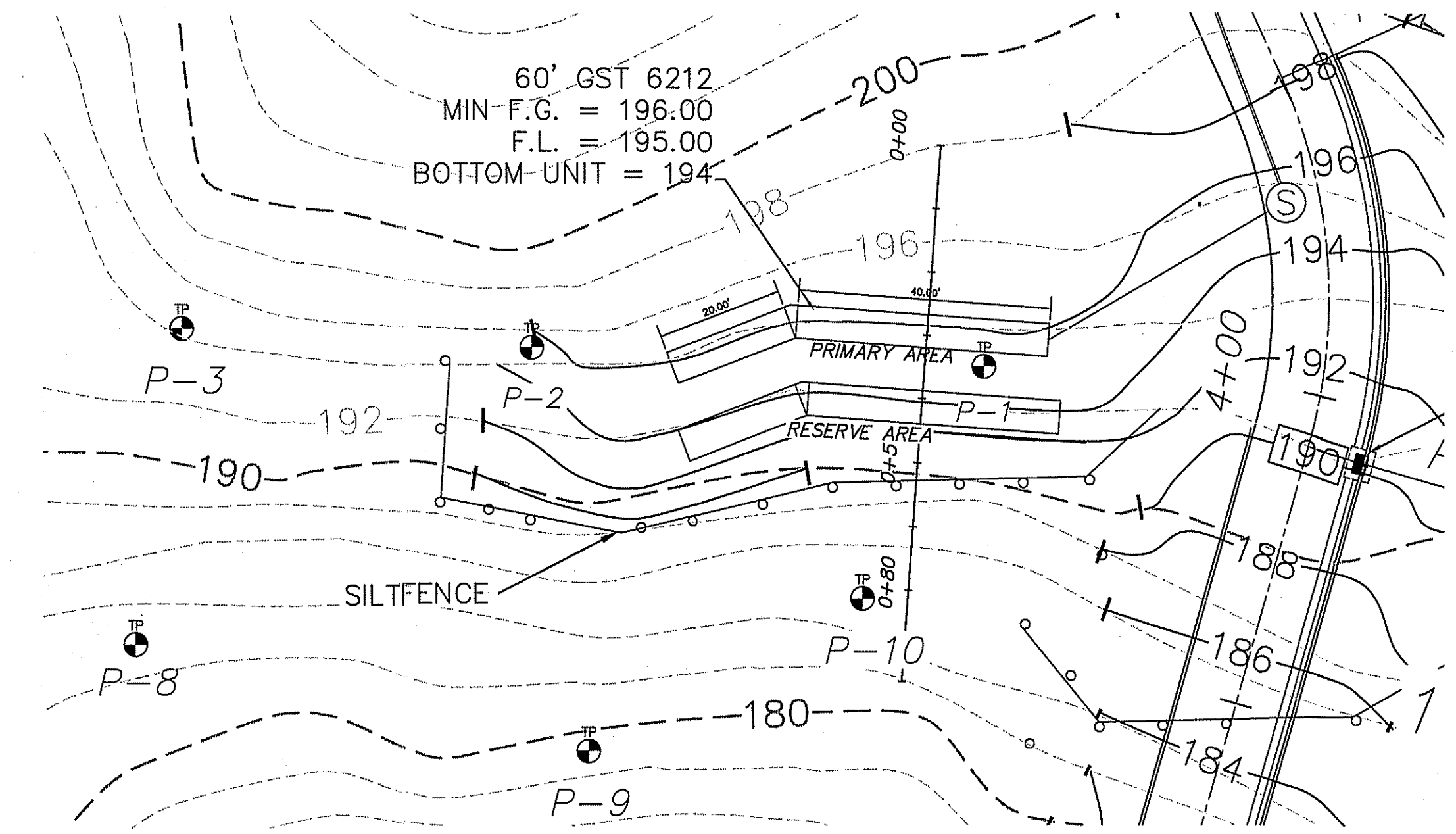
 * THE PERCENT PASSING THE #40 SIEVE CAN BE INCREASED TO NO GREATER THAN 75% IF THE PERCENT PASSING THE #100 SIEVE DOES NOT EXCEED 10% AND THE #200 SIEVE DOES NOT EXCEED 5%.
- SEPTIC TANKS GREATER THAN 12" BELOW FINISH GRADE SHALL HAVE MANHOLES EXTENDED TO WITHIN 12" OF FINISH GRADE. SEPTIC TANKS MUST CONFORM TO ASTM C-1227 AND THE NEW CONNECTICUT PUBLIC HEALTH CODE REVISED JANUARY 1, 2015.
- ALL PIPING FROM BUILDING TO SEPTIC TANK SHALL BE PVC SCHEDULE 40, ASTM D 1785 OR ASTM D 2665 WITH RUBBER COMPRESSION GASKET COUPLINGS, HARCO MFG., ASTM D 3139 OR SOLVENT WELDED COUPLINGS/ FITTINGS USING PROPER TWO STEP PVC SOLVENT SOLUTION PROCEDURE. PIPE SLOPE TO BE MIN 1/4" PER FOOT.
- SEPTIC SYSTEM SHALL BE STAKED OUT BY A LICENSED LAND SURVEYOR.
- THE INSTALLER SHALL SUBMIT AS-BUILT SCALE DRAWINGS AND OR TIED AS-BUILT TO THE LEDGE LIGHT HEALTH DISTRICT UPON 30 DAYS OF COMPLETION WITH DISTANCES TO FLOW LINE AT HOUSE, INLET AND OUTLET COVER OF TANK, D-BOXES, CLEANOUTS, END OF LEACHING ROWS, WELL, FOOTING/CURTAIN DRAINS AND BETWEEN TIE POINTS. IN ADDITION, PROVIDE THE NAME OF INSTALLER, DATE, HOUSE LOCATION AND STREET/DIRECTION ARROW.
- NO GARBAGE GRINDER SHALL BE USED IN THIS HOUSE WITHOUT A CHANGE IN THE SEPTIC TANK SIZE.
- MLSS CALCULATION: RESTRICTIVE LAYER=49", SLOPE=16%, NUMBER OF BEDROOMS=4
HYDRAULIC FACTOR=10, FLOW FACTOR=2, PERC FACTOR=1
MLSS=10 x 2.0 x 1.0 = 20 FEET



SEPTIC SYSTEM CROSS SECTION
SCALE 1" = 5'



SEPTIC SYSTEM PLAN VIEW
SCALE 1" = 20'



TEST HOLE DATA:

T.P. P1
0 - 7" LEAF LITTER & TOPSOIL
7 - 30" OB FINE SANDY LOAM
30 - 49" LIGHT YB MED. SAND, TRACE GRAVEL
NO GW, NO REDOX, LEDGE @ 49" ROOTS TO 49"

T.P. P2
0 - 7" LEAF LITTER & TOPSOIL
7 - 18" OB FINE SANDY LOAM
18 - 32" YB FINE SANDY LOAM
32 - 53" COMPACT GRAY BROWN GLACIAL TILL
NO GW, NO REDOX, LEDGE @ 24" WEST TO 53" EAST
ROOTS TO 44"

T.P. P10
0 - 7" LEAF LITTER & TOPSOIL
7 - 22" OB FINE SANDY LOAM
22 - 44" YB FINE SANDY LOAM
NO GW, NO REDOX, LEDGE @ 44" WEST TO 34" EAST
ROOTS TO 44"

THESE PLANS ARE THE SOLE PROPERTY OF J. ROBERT PFANNER & ASSOCIATES P.C. AND HAVE BEEN PREPARED SOLELY FOR THIS OWNER ON THIS SITE. ANY REPRODUCTION OF THESE PLANS WITHOUT WRITTEN PERMISSION FROM J. ROBERT PFANNER & ASSOCIATES P.C. MAY BE AN INFRINGEMENT OF THE FEDERAL COPYRIGHT ACT.	DRAWN BY: JRP DATE: APRIL 10, 2021	J. ROBERT PFANNER & ASSOCIATES, P.C. CIVIL ENGINEERS & LAND SURVEYORS 37 GRAND STREET NIANTIC, CONNECTICUT 06357 TEL. 860-739-6216 FAX 860-739-0693	GRAPHIC SCALE AS SHOWN	TITLE: SEPTIC SYSTEM DETAILS PREPARED FOR DANIELA GJERGJAJ LOCATION: 29 Rocco Drive - East Lyme Connecticut	SHEET NUMBER SD 5 20019-5			
	<table border="1"> <thead> <tr> <th>NO.</th> <th>DATE</th> <th>DESCRIPTION</th> <th>BY</th> </tr> </thead> <tbody> <tr> <td> </td> <td> </td> <td> </td> <td> </td> </tr> </tbody> </table>					NO.	DATE	DESCRIPTION
NO.	DATE	DESCRIPTION	BY					