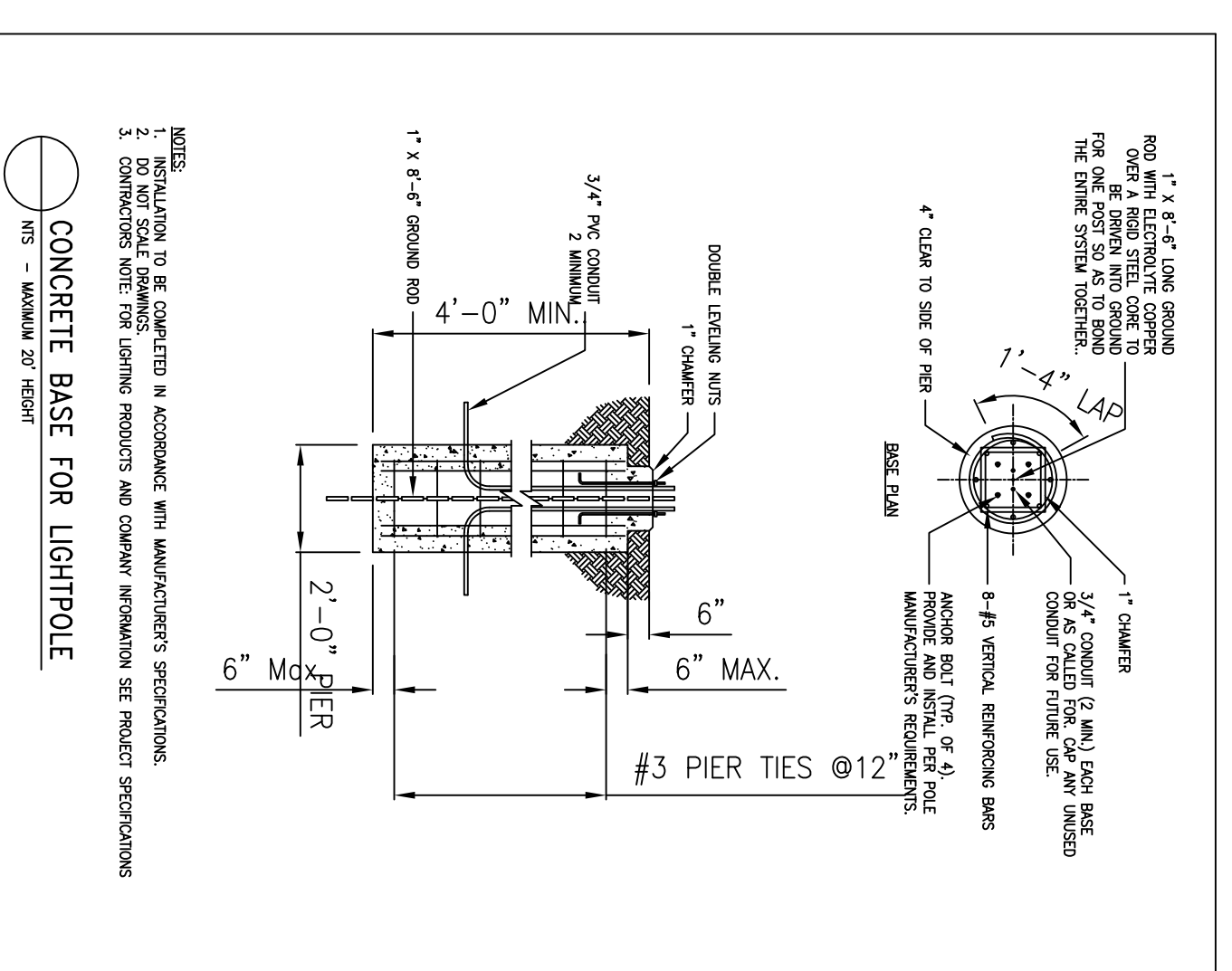
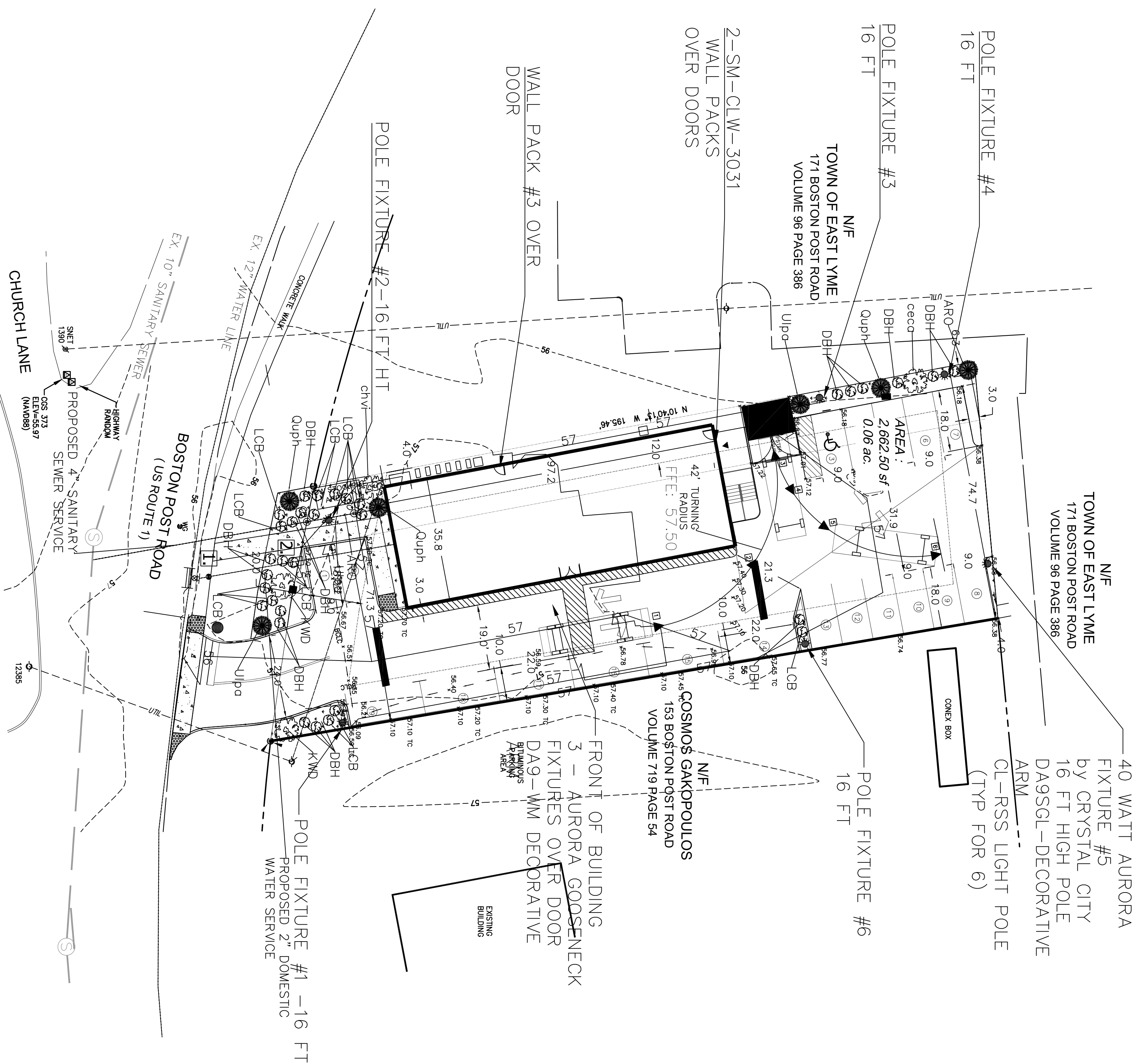
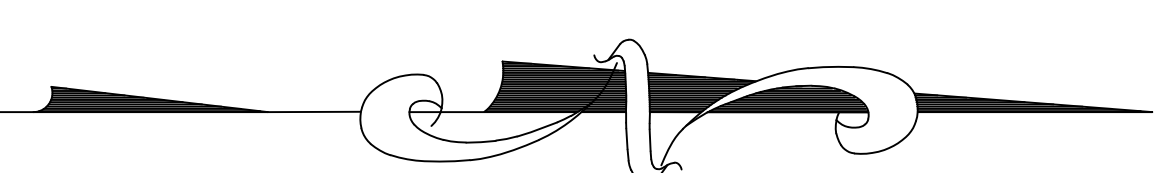
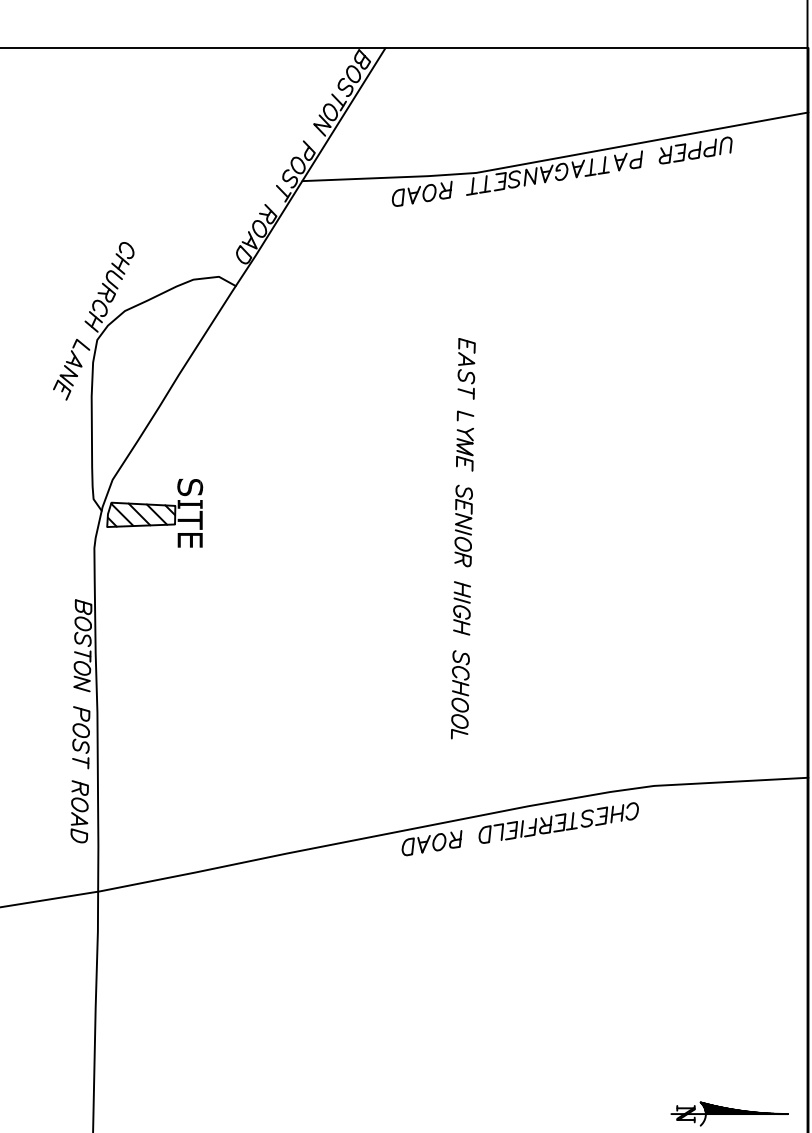


NO.	REVISIONS



- LEGEND**
- CONCRETE WALK
 - CONTOURS
 - SITE ITEMS TO BE DEMOLISHED
 - EXISTING WATER
 - EXISTING SEWER
 - EXISTING WATER SERVICE
 - SANITARY SEWER SERVICE
 - GRASSED AREA
 - CANOPY TREE
 - SHRUBS
 - UNDERSTORY TREE
 - CONCRETE
 - ASPHALT CURB
 - PROPOSED CONTOURS
 - CLEAN OUT
 - LIGHT POLE (FULL ILLUMINATION)
 - LIGHT POLE (DIRECTIONAL ILLUMINATION)
 - UNDERGROUND POWER SERVICE

